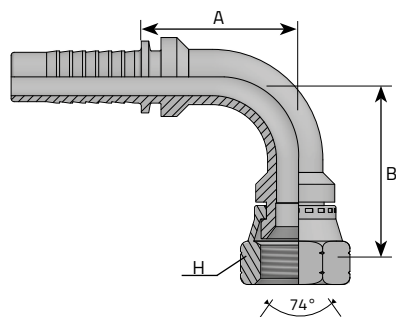


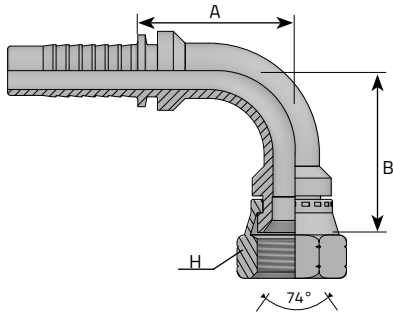
JIC 37° FEMALE - 90° ELBOW (1)



FEMMINA 90° JIC SV 37°
 FEMELLE 90° JIC CÔNE 37°
 DKJ 90° BOGEN 37° JIC DICHTKOPF (UNF)
 HEMBRA GIRATORIA A 90° JIC CONO 37°

Code	Tube			Thread		Dimensions			Pressure	
	D.N.	Hose	Diam	T	t/1"	H	B	A	Bar	Psi
	Inch	mm	Inch			mm	mm	mm		
F90J0304	-3	3/16"	4.8	7/16"	20	15	26	23	350	5076
F90J0305	-3	3/16"	4.8	1/2"	20	17	27	23	350	5076
F90J0404	-4	1/4"	6.4	7/16"	20	15	26	23	350	5076
F90J0405	-4	1/4"	6.4	1/2"	20	17	27	23	350	5076
F90J0406	-4	1/4"	6.4	9/16"	18	19	27	23	250	3626
F90J0505	-5	5/16"	7.9	1/2"	20	17	32	31.5	350	5076
F90J0506	-5	5/16"	7.9	9/16"	18	19	32	31.5	250	3626
F90J0507	-5	5/16"	7.9	5/8"	18	22	32.5	31.5	-	-
F90J0508	-5	5/16"	7.9	3/4"	16	24	32.5	31.5	250	3626
F90J0606	-6	3/8"	9.5	9/16"	18	19	35	33	250	3626
F90J0607	-6	3/8"	9.5	5/8"	18	22	35.5	33	-	-
F90J0608	-6	3/8"	9.5	3/4"	16	24	36.5	33	250	3626
F90J0610	-6	3/8"	9.5	7/8"	14	27	39.5	33	200	2901
F90J0808	-8	1/2"	12.8	3/4"	16	24	41	39	250	3626
F90J0810	-8	1/2"	12.8	7/8"	14	27	42.5	39	200	2901
F90J0812	-8	1/2"	12.8	1.1/16"	12	32	50	39	200	2901
F90J1010	-10	5/8"	16	7/8"	14	27	50	49	200	2901

JIC 37° FEMALE - 90° ELBOW (2)



FEMMINA 90° JIC SV 37°
 FEMELLE 90° JIC CÔNE 37°
 DKJ 90° BOGEN 37° JIC DICHTKOPF (UNF)
 HEMBRA GIRATORIA A 90° JIC CONO 37°

Code	Tube		Thread			Dimensions			Pressure	
	D.N.	Hose	Diam	T	t/1"	H	B	A	Bar	Psi
	Inch		mm	Inch		mm	mm	mm		
F90J1012	-10	5/8"	16	1.1/16"	12	32	55	49	200	2901
F90J1210	-12	3/4"	19	7/8"	14	27	58	53.5	200	2901
F90J1212	-12	3/4"	19	1.1/16"	12	32	58	53.5	200	2901
F90J1214	-12	3/4"	19	1.3/16"	12	36	61	53.5	160	2320
F90J1216	-12	3/4"	19	1.5/16"	12	41	62.5	53.5	160	2320
F90J1612	-16	1"	25.4	1.1/16"	12	32	80	69	200	2901
F90J1616	-16	1"	25.4	1.5/16"	12	41	69.5	73	160	2320
F90J1620	-16	1"	25.4	1.5/8"	12	50	78.5	73	125	1813
F90J2020	-20	1.1/4"	31.8	1.5/8"	12	50	91.5	89	125	1813
F90J2024	-20	1.1/4"	31.8	1.7/8"	12	55	99	89	100	1450
F90J2424	-24	1.1/2"	38.1	1.7/8"	12	55	112.5	101	100	1450