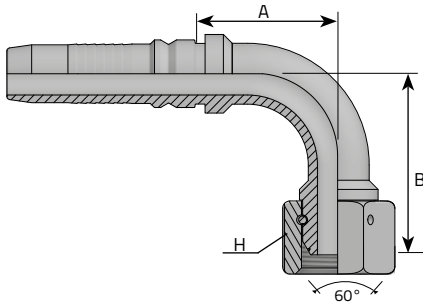


## INTERLOCK BSPP FEMALE 90° (O-RING) - THURST-WIRE NUT



FEMMINA 90° BSPP SV60° DADO SPINATO CON O-RING  
 FEMELLE 90° AVEC O-RING CÔNE 60° (ÉCROU À JONC)  
 DKR 90° BOGEN MIT O-RING + GESTIFTETE ÜBERWURFMUTTER (BSPP-  
 GEWINDE)  
 HEMBRA BSPP A 90° CON O-RING CONO 60° (TUERCA CON SEGURO)

Code	Tube		Thread			Dimensions			Pressure	
	D.N.	Hose	Diam	T	t/1"	H	B	A	Bar	Psi
	Inch		mm	Inch		mm	mm	mm		
KF90G1212	-12	3/4"	19	3/4"	14	32	59	54	420	6091
KF90G1616	-16	1"	25.4	1"	11	38	72	70.5	420	6091
KF90G1620	-16	1"	25.4	1.1/4"	11	50	80	70.5	420	6091
KF90G2020	-20	1.1/4"	31.8	1.1/4"	11	50	93	87.7	420	6091
KF90G2424	-24	1.1/2"	38.1	1.1/2"	11	55	114	99.5	345	5004
KF90G3232	-32	2"	50.8	2"	11	70	136	135	345	5004