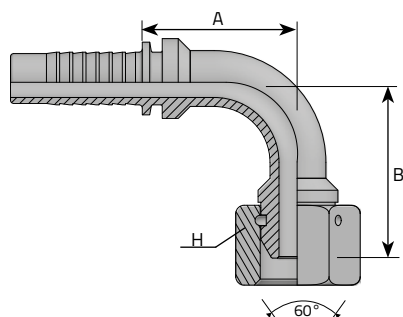


## BSPP FEMALE 90° ELBOW (THRUST-WIRE NUT) (1)

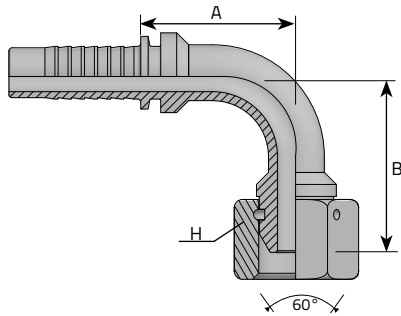


FEMMINA 90° BSPP SV60° DADO SPINATO CON O-RING  
 FEMELLE 90° BSPP AVEC O-RING CÔNE 60° (ÉCROU À JONC)  
 DKOR 90° BOGEN 60° KONUS MIT O-RING (BSPP-GEWINDE) + GESTIFTETE  
 HEMBRA GIRATORIA A 90° BSPP CON O-RING (TUERCA CON SEGURO)

\* : without o-ring / senza o-ring

	Code	Tube			Thread		Dimensions			Pressure	
		D.N.	Hose	Diam	T	t/1"	H	B	A	Bar	Psi
		Inch		mm	Inch		mm	mm	mm		
*	F90G0302SP	-3	3/16"	4.8	1/8"	28	14	29	23	350	5076
*	F90G0304SP	-3	3/16"	4.8	1/4"	19	19	29	23	415	6019
*	F90G0402SP	-4	1/4"	6.4	1/8"	28	14	29	23	350	5076
*	F90G0404SP	-4	1/4"	6.4	1/4"	19	19	29	23	450	6526
*	F90G0406SP	-4	1/4"	6.4	3/8"	19	22	32	23	450	6526
*	F90G0408SP	-4	1/4"	6.4	1/2"	14	27	39	31.5	450	6526
*	F90G0504SP	-5	5/16"	7.9	1/4"	19	19	33.5	31.5	350	5076
*	F90G0506SP	-5	5/16"	7.9	3/8"	19	22	35.5	31.5	350	5076
*	F90G0508SP	-5	5/16"	7.9	1/2"	14	27	39	31.5	350	5076
*	F90G0604SP	-6	3/8"	9.5	1/4"	19	19	37	33	450	6526
*	F90G0606SP	-6	3/8"	9.5	3/8"	19	22	38	33	450	6526
*	F90G0608SP	-6	3/8"	9.5	1/2"	14	27	42	33	450	6526
*	F90G0806SP	-8	1/2"	12.8	3/8"	19	22	43	39	415	6019
*	F90G0808SP	-8	1/2"	12.8	1/2"	14	27	45	39	415	6019
	F90G0812SP	-8	1/2"	12.8	3/4"	14	32	51	39	415	6019
*	F90G1008SP	-10	5/8"	16	1/2"	14	27	54	49	350	5076
	F90G1012SP	-10	5/8"	16	3/4"	14	32	56	49	350	5076

## BSPP FEMALE 90° ELBOW (THRUST-WIRE NUT) (2)



FEMMINA 90° BSPP SV60° DADO SPINATO CON O-RING  
 FEMELLE 90° BSPP AVEC O-RING CÔNE 60° (ÉCROU À JONC)  
 DKOR 90° BOGEN 60° KONUS MIT O-RING (BSPP-GEWINDE) + GESTIFTETE  
 HEMBRA GIRATORIA A 90° BSPP CON O-RING (TUERCA CON SEGURO)

\* : without o-ring / senza o-ring

Code	Tube		Thread		Dimensions			Pressure		
	D.N.	Hose	Diam	T	t/1"	H	B	A	Bar	Psi
	Inch	mm	Inch			mm	mm	mm		
* F90G1208SP	-12	3/4"	19	1/2"	14	27	56	53.5	350	5076
F90G1212SP	-12	3/4"	19	3/4"	14	32	59	53.5	350	5076
F90G1216SP	-12	3/4"	19	1"	11	38	65	53.5	350	5076
F90G1612SP	-16	1"	25.4	3/4"	14	32	72	68.5	350	5076
F90G1616SP	-16	1"	25.4	1"	11	38	72	73	280	4061
F90G1620SP	-16	1"	25.4	1.1/4"	11	50	80	73	280	4061
F90G2020SP	-20	1.1/4"	31.8	1.1/4"	11	50	93	89	210	3046
F90G2024SP	-20	1.1/4"	31.8	1.1/2"	11	55	98.5	89	210	3046
F90G2424SP	-24	1.1/2"	38.1	1.1/2"	11	55	114	101	185	2683
F90G2432SP	-24	1.1/2"	38.1	2"	11	70	118	101	185	2683
F90G3232SP	-32	2"	50.8	2"	11	70	136	135	165	2393