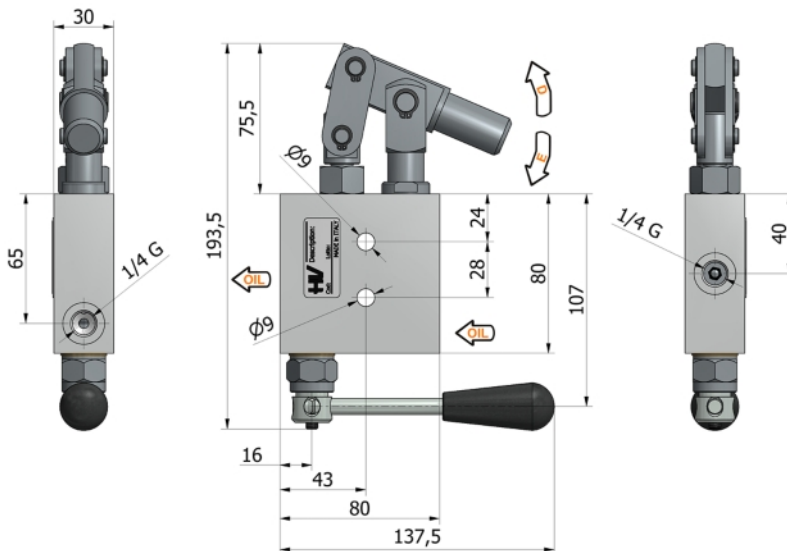
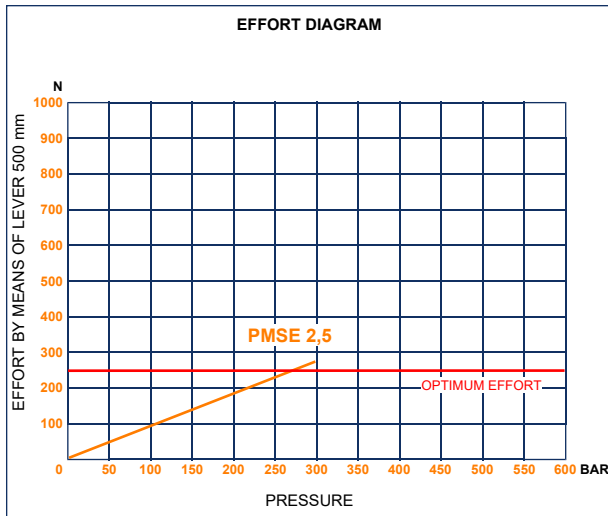
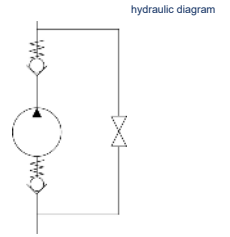




PMSE 2,5 L

with release lever
single acting hand pump for a single acting cylinder
for fixing to wall



- Specifications:**
- Aluminum body
 - Piston treated with Niploy
 - Hold lever of zinc plated steel
 - Lever connection of diam. 20
 - External parts of zinc plated steel

DISPLACEMENT cm ³	A mm	B mm	C mm	D °	E °	ACTUAL DISPLACEMENT cm ³	PRESSURE BAR		MASS KG	CODE
							OPTIMAL	MAX		
2,5	--	--	--	9	24	2,610	270	300	1,200	6064.0001