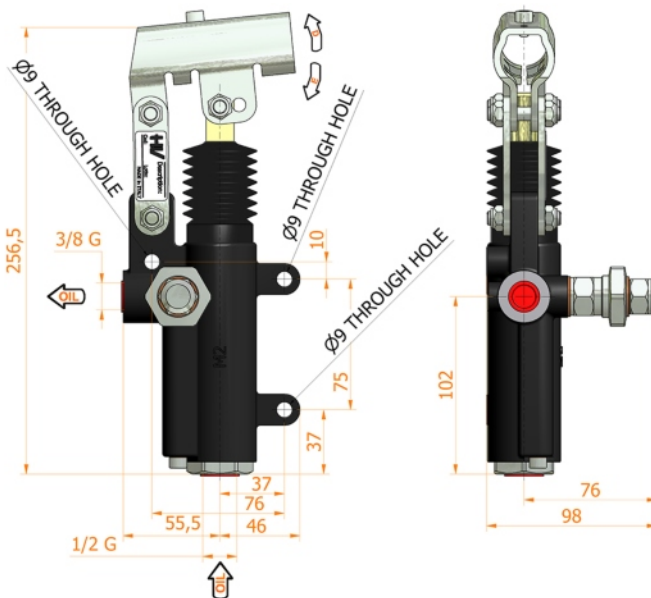
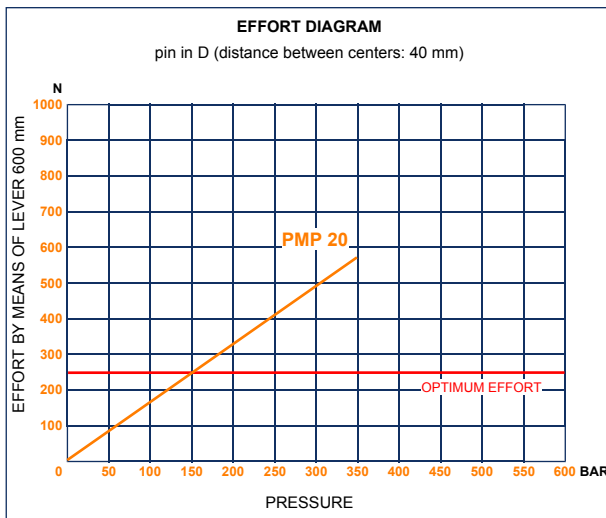
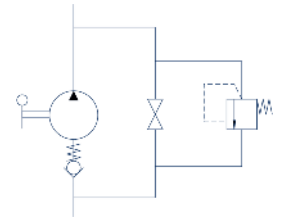




# PMP 20 byB-s

with release hand knob  
with pressure relief valve  
double acting hand pump for single acting cylinder  
for fixing to wall



- Specifications:**
- Cast iron body
  - Piston treated with Niploy
  - White zinc plated support lever
  - Lever connection  $\varnothing 27$
  - White zinc plated external parts
  - Standard colour black
  - Pressure relief valve standard setting: 100 bar

DISPLACEMENT cm <sup>3</sup>	A mm	B mm	C mm	D °	E °	ACTUAL DISPLACEMENT cm <sup>3</sup>	PRESSURE BAR		MASS KG	CODE WITHOUT BELLOWS	CODE WITH BELLOWS
							OPTIMAL	MAX			
20	--	--	--	32	30	20,090	150	350	2,650	6074.0064	6074.0065