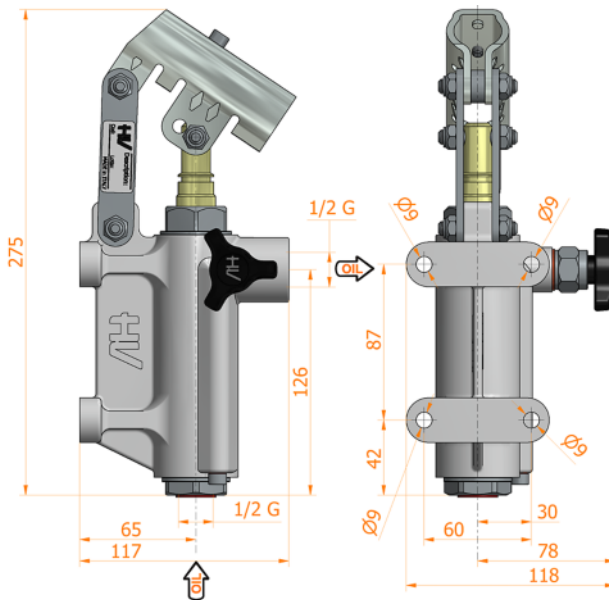
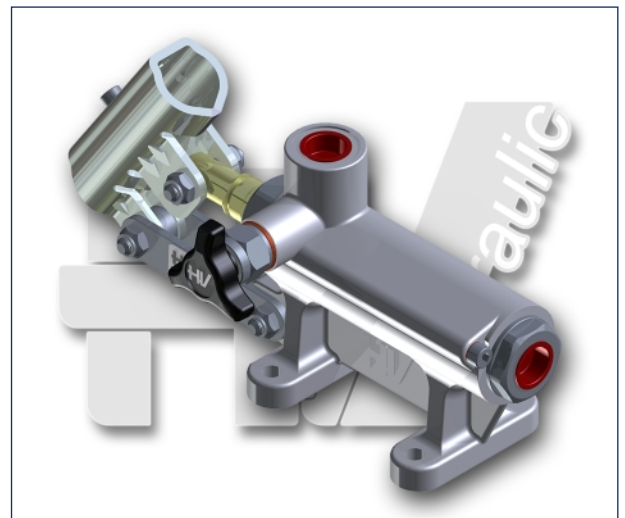
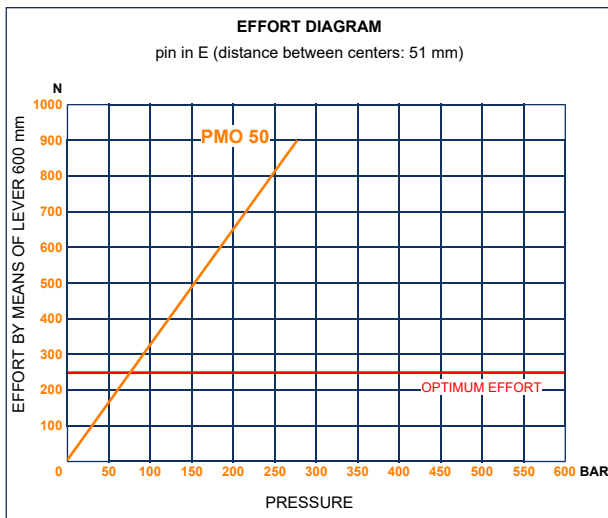
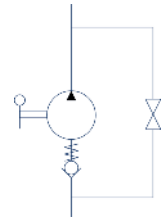




PMO 50

with release hand knob
double acting hand pump for single acting cylinder
for fixing to wall



Specifications:

- Aluminium body
- Piston treated with Niploy
- White zinc plated support lever
- Lever connection $\varnothing 27$
- White zinc plated external parts

DISPLACEMENT cm ³	A mm	B mm	C mm	D °	E °	ACTUAL DISPLACEMENT cm ³	PRESSURE BAR		MASS KG	CODE
							OPTIMAL	MAX		
50	--	--	--	--	--	43,825	80	280	2,060	6077.5000