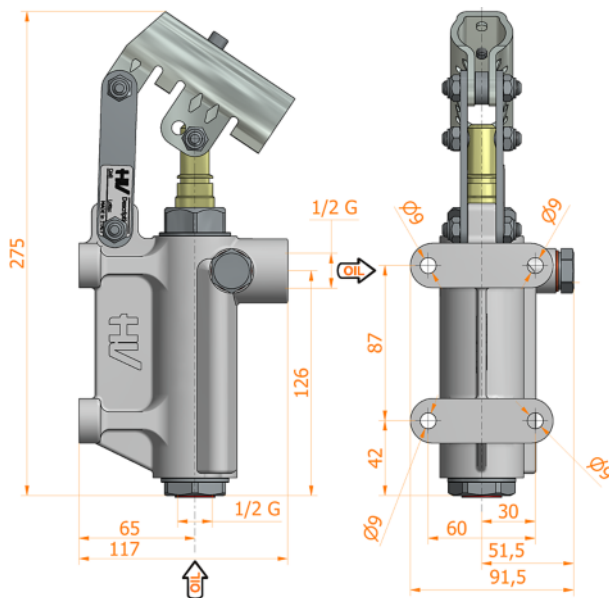
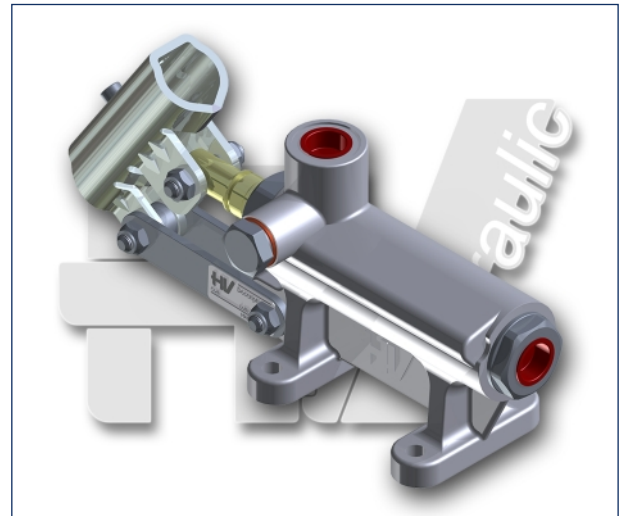
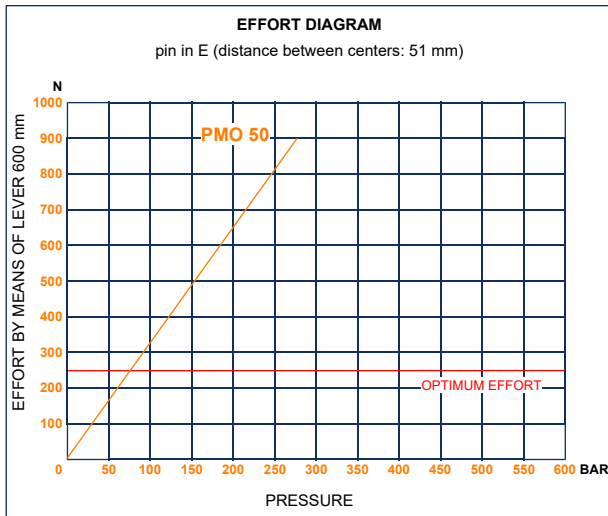




# PMO 50 e

without release hand knob  
double acting hand pump for single acting cylinder  
for fixing to wall



**Specifications:**

- Aluminium body
- Piston treated with Niploy
- White zinc plated support lever
- Lever connection  $\varnothing 27$
- White zinc plated external parts

DISPLACEMENT cm <sup>3</sup>	A mm	B mm	C mm	D °	E °	ACTUAL DISPLACEMENT cm <sup>3</sup>	PRESSURE BAR		MASS KG	CODE
							OPTIMAL	MAX		
50	--	--	--	--	--	43,825	80	280	2,040	6077.5001