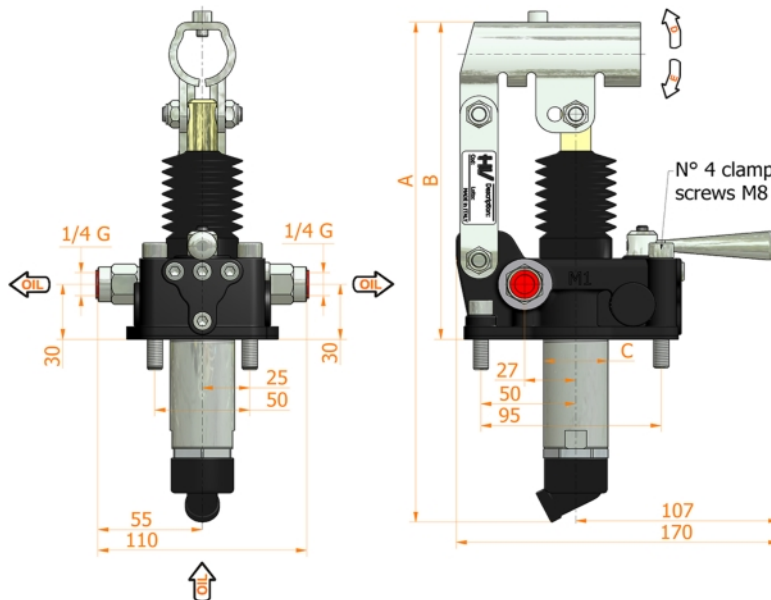
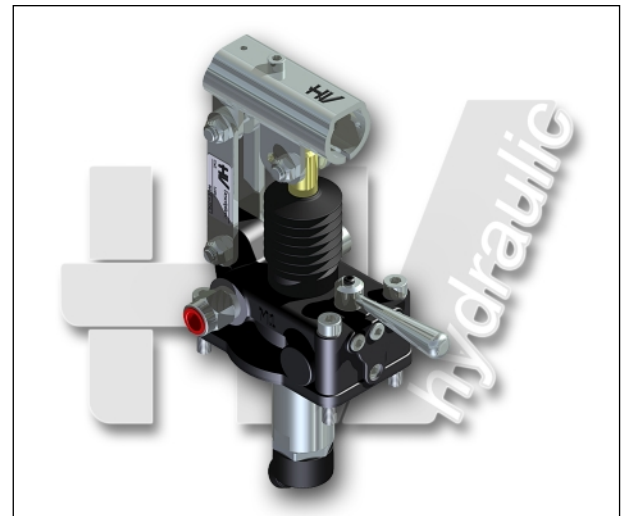
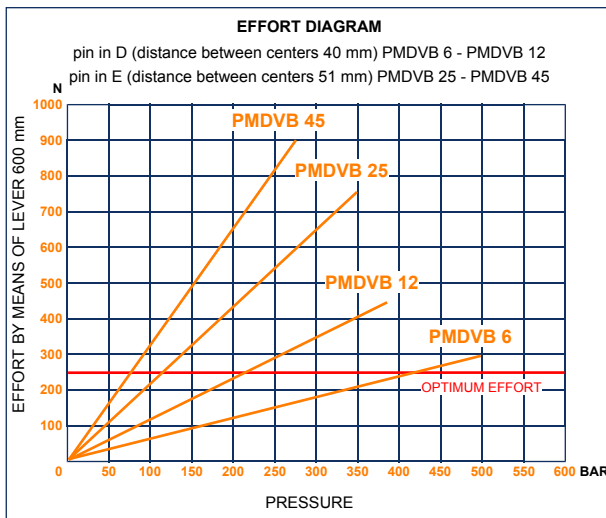
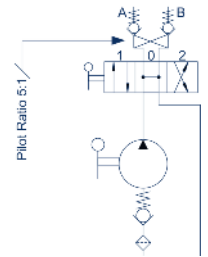




PMDVB 6-12-25-45 ca-s

with 4/3 diverter opened centre
with dual pilot check valve
with brakes
double acting hand pump for a double acting cylinder
for fixing to tank



Specifications:

- Cast iron body
- Piston treated with Niploy
- White zinc plated support lever
- Lever connection Ø 27
- White zinc plated external parts
- Standard colour black
- Oil tank mounting kit included
- With hydraulic brakes to operate under 50 bar pressure

DISPLACEMENT cm ³	A mm	B mm	C mm	D °	E °	ACTUAL DISPLACEMENT cm ³	PRESSURE BAR		MASS KG	CODE WITHOUT BELLOWS	CODE WITH BELLOWS
							OPTIMAL	MAX			
6	253	166	34	26	31	6,970	420	500	3,400	6059.0300	6059.0301
12	253	166	34	26	31	12,095	220	380	3,400	6060.0300	6060.0301
25	273	172	34	30	30	25,280	120	350	3,450	6061.0300	6061.0301
45	283	172	40	45	33	44,532	80	280	3,500	6062.0300	6062.0301