



FFH

Flat face couplings, ISO 16028 interchange, 35 MPa series.

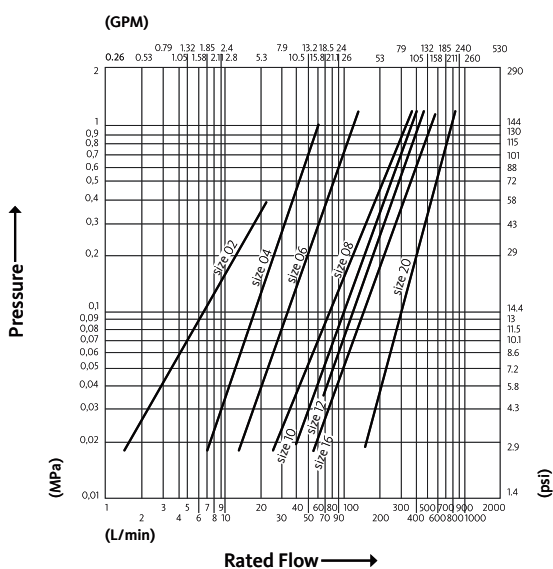
Flat face couplings with real maximum working pressure of 35 MPa and Zinc-Nickel plating. Flat valve shut-off system contributes to prevent contamination and spillage. ISO 16028 interchange.



Applications



Pressure Drop



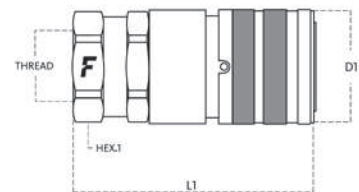
Test performed according to ISO 18869

Technical Specifications

| dash | Size mm | inch | Working Pressure (MPa) | Flow Rate (l/min) | Spillage (ml) | Force to Connect (N) | Burst pressure (MPa) | | |
|------|------------|--------|---------------------------|----------------------|------------------|-------------------------|----------------------|--------|------------------|
| | | | | | | | Male | Female | Male + Female |
| 02* | 3.2* | 1/8"* | 35 | 12 | 0.001 | 105 | 170 | 140 | 180 |
| 04 | 6.3 | 1/4" | 35 | 25 | 0.006 | 110 | 170 | 140 | 180 |
| 06 | 10 | 3/8" | 35 | 50 | 0.008 | 150 | 170 | 140 | 170 |
| 08 | 12.5 | 1/2" | 35 | 110 | 0.01 | 210 | 140 | 140 | 170 |
| 10 | 16 | 5/8" | 35 | 125 | 0.02 | 205 | 140 | 140 | 140 |
| 12 | 20 | 3/4" | 35 | 160 | 0.02 | 215 | 140 | 140 | 140 |
| 16 | 25 | 1" | 35 | 230 | 0.03 | 280 | 140 | 140 | 170 |
| 20 | 31.5 | 1-1/4" | 35 | 390 | 0.03 | 350 | 105 | 105 | 140 |

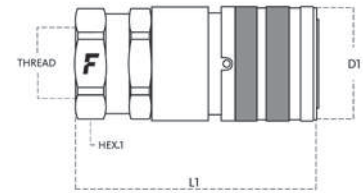
* FFH02 has surface treatment in MATE 500 (CRIII) and is not interchangeable according to ISO 16028.

| | | | |
|----------------------|----------------------------|---------------------------|--------------------------|
| Material | Steel | Valve Type | Flat |
| Seals | NBR; PUR | Connection | Push to Connect |
| Working temperatures | - 25 °C to + 100 °C | Disconnection | Sleeve Retraction |
| Surface treatment | MATE 1000 (Zn-Ni) | Connection Under Pressure | Not Allowed |
| Series Interchange | ISO 16028* | | |



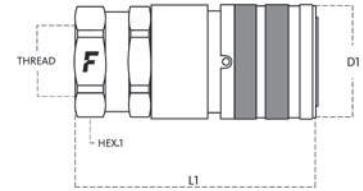
FFH

| Size | | Thread details | | | FEMALE | | | | | | | |
|------|------|----------------|----------------|---------------------------------|----------------|-----------------|------|----|------|------|------|--|
| mm | inch | Thread Type | Standard | Thread | Part Number | L (L1 + Thread) | | D1 | | HEX1 | | |
| | | | | | | mm | inch | mm | inch | mm | inch | |
| 3.2 | 1/8" | 13/ SAE | ISO 8434-2 | 7/16"-20 UNF MALE JIC | FFH02-13/14S F | 60.1 | 2.37 | 20 | 0.79 | 18 | 0.71 | |
| 3.2 | 1/8" | F BSPP | ISO 1179-1 | BSPP 1/8" FEMALE | FFH02 18GAS F | 46.1 | 1.81 | 20 | 0.79 | 18 | 0.71 | |
| 3.2 | 1/8" | F BSPP | ISO 1179-1 | BSPP 1/4" FEMALE | FFH02 14GAS F | 51.3 | 2.02 | 20 | 0.79 | 18 | 0.71 | |
| 6.3 | 1/4" | 0/ SAE | ISO 11926-1 | 7/16"-20 UNF FEMALE ORB | FFH04 14SAE F | 59 | 2.32 | 27 | 1.06 | 24 | 0.94 | |
| 6.3 | 1/4" | F JPT | UNI EN 10226-2 | RC 1/4 FEMALE (JPT) | FFH04 14JPT F | 58.9 | 2.32 | 27 | 1.06 | 24 | 0.94 | |
| 6.3 | 1/4" | 07/ METRIC | ISO 8434-1-L | M16x1.5 MALE BULKHEAD SHORT 10L | FFH04-7/1615 F | 82.4 | 3.24 | 27 | 1.06 | 24 | 0.94 | |
| 6.3 | 1/4" | 06/ METRIC | ISO 8434-1-S | M16x1.5 MALE BULKHEAD 8S | FFH04-6/1615 F | 75.5 | 2.97 | 27 | 1.06 | 24 | 0.94 | |
| 6.3 | 1/4" | 05/ METRIC | ISO 8434-1-L | M16x1.5 MALE BULKHEAD 10L | FFH04-5/1615 F | 92.4 | 3.64 | 27 | 1.06 | 24 | 0.94 | |
| 6.3 | 1/4" | 03/ METRIC | ISO 8434-1-S | M16x1.5 MALE 8S | FFH04-3/1615 F | 69.4 | 2.73 | 27 | 1.06 | 24 | 0.94 | |
| 6.3 | 1/4" | 02/ METRIC | ISO 8434-1-L | M16x1.5 MALE 10L | FFH04-2/1615 F | 68.4 | 2.69 | 27 | 1.06 | 24 | 0.94 | |
| 6.3 | 1/4" | 02/ METRIC | ISO 8434-1-L | M14x1.5 MALE 8L | FFH04-2/1415 F | 67.4 | 2.65 | 27 | 1.06 | 24 | 0.94 | |
| 6.3 | 1/4" | 14/ SAE | ISO 8434-2 | 9/16"-18 UNF MALE BULKHEAD JIC | FFH04-14/38S F | 89.9 | 3.54 | 27 | 1.06 | 24 | 0.94 | |
| 6.3 | 1/4" | 13/ SAE | ISO 8434-2 | 9/16"-18 UNF MALE JIC | FFH04-13/38S F | 71.5 | 2.81 | 27 | 1.06 | 24 | 0.94 | |
| 6.3 | 1/4" | 12/ SAE | ISO 8434-3 | 11/16"-16 UN MALE BULKHEAD ORFS | FFH04-12/38S F | 91.4 | 3.6 | 27 | 1.06 | 24 | 0.94 | |
| 6.3 | 1/4" | 0/ METRIC | ISO 6149-1 | M16x1.5 FEMALE ORB | FFH04-0/1615 F | 61.1 | 2.41 | 27 | 1.06 | 24 | 0.94 | |
| 6.3 | 1/4" | 0/ SAE | ISO 11926-1 | 9/16"-18 UNF FEMALE ORB | FFH04 38SAE F | 59.6 | 2.35 | 27 | 1.06 | 24 | 0.94 | |
| 6.3 | 1/4" | F NPTF | ANSI B1.20.3 | NPTF 1/4" FEMALE | FFH04 14NPT F | 58.9 | 2.32 | 27 | 1.06 | 24 | 0.94 | |
| 6.3 | 1/4" | F BSPP | ISO 1179-1 | BSPP 1/4" FEMALE | FFH04 14GAS F | 58.9 | 2.32 | 27 | 1.06 | 24 | 0.94 | |
| 10 | 3/8" | F JPT | UNI EN 10226-2 | RC 3/8 FEMALE (JPT) | FFH06 38JPT F | 74.9 | 2.95 | 30 | 1.18 | 27 | 1.06 | |
| 10 | 3/8" | F BSPP | ISO 1179-1 | BSPP 3/8" FEMALE | FFH06 38GAS FB | 75 | 2.95 | 30 | 1.18 | 27 | 1.06 | |
| 10 | 3/8" | F JPT | UNI EN 10226-2 | RC 1/2 FEMALE (JPT) | FFH06 12JPT F | 78.4 | 3.09 | 30 | 1.18 | 27 | 1.06 | |
| 10 | 3/8" | 07/ METRIC | ISO 8434-1-L | M22x1.5 MALE BULKHEAD SHORT 15L | FFH06-7/2215 F | 97.9 | 3.85 | 30 | 1.18 | 27 | 1.06 | |
| 10 | 3/8" | 07/ METRIC | ISO 8434-1-L | M18x1.5 MALE BULKHEAD SHORT 12L | FFH06-7/1815 F | 95.9 | 3.78 | 30 | 1.18 | 27 | 1.06 | |
| 10 | 3/8" | 07/ METRIC | ISO 8434-1-L | M16x1.5 MALE BULKHEAD SHORT 10L | FFH06-7/1615 F | 94.9 | 3.74 | 30 | 1.18 | 27 | 1.06 | |
| 10 | 3/8" | 06/ METRIC | ISO 8434-1-S | M20x1.5 MALE BULKHEAD 12S | FFH06-6/2015 F | 107.9 | 4.25 | 30 | 1.18 | 27 | 1.06 | |
| 10 | 3/8" | 05/ METRIC | ISO 8434-1-L | M22x1.5 MALE BULKHEAD 15L | FFH06-5/2215 F | 107.9 | 4.25 | 30 | 1.18 | 27 | 1.06 | |
| 10 | 3/8" | 05/ METRIC | ISO 8434-1-L | M18x1.5 MALE BULKHEAD 12L | FFH06-5/1815 F | 105.9 | 4.17 | 30 | 1.18 | 27 | 1.06 | |
| 10 | 3/8" | 03/ METRIC | ISO 8434-1-S | M20x1.5 MALE 12S | FFH06-3/2015 F | 80.9 | 3.19 | 30 | 1.18 | 27 | 1.06 | |
| 10 | 3/8" | 02/ METRIC | ISO 8434-1-L | M18x1.5 MALE 12L | FFH06-2/1815 F | 80.9 | 3.19 | 30 | 1.18 | 27 | 1.06 | |
| 10 | 3/8" | 02/ METRIC | ISO 8434-1-L | M16x1.5 MALE 10L | FFH06-2/1615 F | 80.9 | 3.19 | 30 | 1.18 | 27 | 1.06 | |
| 10 | 3/8" | 02/ METRIC | ISO 8434-1-L | M14x1.5 MALE 8L | FFH06-2/1415 F | 79.9 | 3.15 | 30 | 1.18 | 27 | 1.06 | |
| 10 | 3/8" | 14/ SAE | ISO 8434-2 | 3/4"-16 UN MALE BULKHEAD JIC | FFH06-14/12S F | 106.5 | 4.19 | 30 | 1.18 | 27 | 1.06 | |
| 10 | 3/8" | 12/ SAE | ISO 8434-3 | 13/16"-16 UN MALE BULKHEAD ORFS | FFH06-12/12S F | 106 | 4.17 | 30 | 1.18 | 27 | 1.06 | |
| 10 | 3/8" | 01/ SAE | ISO 11926-3 | 9/16"-18 UNF MALE | FFH06-1/38S F | 79.9 | 3.15 | 30 | 1.18 | 27 | 1.06 | |
| 10 | 3/8" | 01/ SAE | ISO 11926-3 | 3/4"-16 UNF MALE | FFH06-1/12S F | 80.7 | 3.18 | 30 | 1.18 | 27 | 1.06 | |
| 10 | 3/8" | F BSPP | ISO 1179-1 | BSPP 3/8" FEMALE | FFH06 38GAS FV | 97.9 | 3.85 | 30 | 1.18 | 27 | 1.06 | |
| 10 | 3/8" | 0/ SAE | ISO 11926-1 | 3/4"-16 UNF FEMALE ORB | FFH06 12SAE F | 76.9 | 3.03 | 30 | 1.18 | 27 | 1.06 | |
| 10 | 3/8" | F NPTF | ANSI B1.20.3 | NPTF 1/2" FEMALE | FFH06 12NPT F | 79.4 | 3.13 | 30 | 1.18 | 27 | 1.06 | |
| 10 | 3/8" | F NPTF | ANSI B1.20.3 | NPTF 3/8" FEMALE | FFH06 38NPT F | 75 | 2.95 | 30 | 1.18 | 27 | 1.06 | |
| 10 | 3/8" | 02/ METRIC | ISO 8434-1-L | M22x1.5 MALE 15L | FFH06-2/2215 F | 81.9 | 3.22 | 30 | 1.18 | 27 | 1.06 | |
| 10 | 3/8" | F BSPP | ISO 1179-1 | BSPP 3/8" FEMALE | FFH06 38GAS F | 75 | 2.95 | 30 | 1.18 | 27 | 1.06 | |
| 10 | 3/8" | F BSPP | ISO 1179-1 | BSPP 1/2" FEMALE | FFH06 12GAS F | 79.4 | 3.13 | 30 | 1.18 | 27 | 1.06 | |
| 12.5 | 1/2" | 02/ METRIC | ISO 8434-1-L | M26x1.5 MALE 18L | FFH08-2/2615 F | 83.3 | 3.28 | 38 | 1.5 | 34 | 1.34 | |
| 12.5 | 1/2" | F JPT | UNI EN 10226-2 | RC 1/2 FEMALE (JPT) | FFH08 12JPT F | 81.3 | 3.2 | 38 | 1.5 | 34 | 1.34 | |
| 12.5 | 1/2" | 07/ METRIC | ISO 8434-1-L | M22x1.5 MALE BULKHEAD SHORT 15L | FFH08-7/2215 F | 99.3 | 3.91 | 38 | 1.5 | 34 | 1.34 | |
| 12.5 | 1/2" | 05/ METRIC | ISO 8434-1-L | M18x1.5 MALE BULKHEAD 12L | FFH08-5/1815 F | 107.3 | 4.22 | 38 | 1.5 | 34 | 1.34 | |



FFH

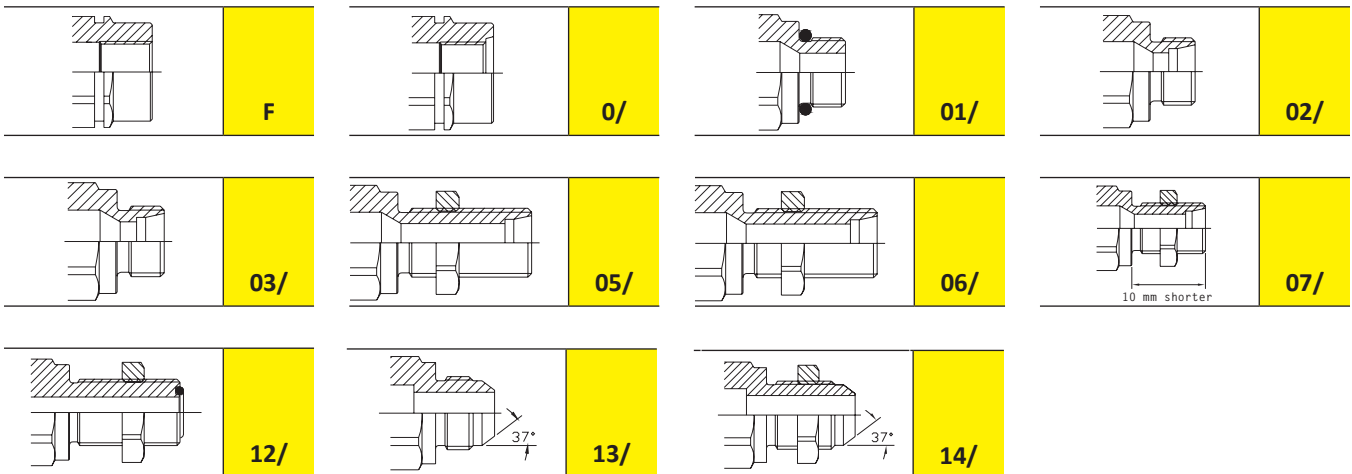
| Size | | Thread details | | | FEMALE | | | | | | | |
|------|------|----------------|----------------|----------------------------------|----------------|-----------------|------|----|------|------|------|--|
| mm | inch | Thread Type | Standard | Thread | Part Number | L (L1 + Thread) | | D1 | | HEX1 | | |
| | | | | | | mm | inch | mm | inch | mm | inch | |
| 12.5 | 1/2" | 02/ METRIC | ISO 8434-1-L | M22x1.5 MALE 15L | FFH08-2/2215 F | 83.3 | 3.28 | 38 | 1.5 | 34 | 1.34 | |
| 12.5 | 1/2" | 02/ METRIC | ISO 8434-1-L | M18x1.5 MALE 12L | FFH08-2/1815 F | 82.3 | 3.24 | 38 | 1.5 | 34 | 1.34 | |
| 12.5 | 1/2" | 14/ SAE | ISO 8434-2 | 7/8"-14 UNF MALE BULKHEAD JIC | FFH08-14/58S F | 111.4 | 4.39 | 38 | 1.5 | 34 | 1.34 | |
| 12.5 | 1/2" | 14/ SAE | ISO 8434-2 | 1-1/16"-12 UN MALE BULKHEAD JIC | FFH08-14/34S F | 115.7 | 4.56 | 38 | 1.5 | 34 | 1.34 | |
| 12.5 | 1/2" | 14/ SAE | ISO 8434-2 | 3/4"-16 UN MALE BULKHEAD JIC | FFH08-14/12S F | 107.9 | 4.25 | 38 | 1.5 | 34 | 1.34 | |
| 12.5 | 1/2" | 13/ SAE | ISO 8434-2 | 7/8"-14 UNF MALE JIC | FFH08-13/58S F | 90.6 | 3.57 | 38 | 1.5 | 34 | 1.34 | |
| 12.5 | 1/2" | 12/ SAE | ISO 8434-3 | 1"-14 UNS MALE BULKHEAD ORFS | FFH08-12/58S F | 111.8 | 4.4 | 38 | 1.5 | 34 | 1.34 | |
| 12.5 | 1/2" | 12/ SAE | ISO 8434-3 | 1-3/16"-12 UN MALE BULKHEAD ORFS | FFH08-12/34S F | 112.8 | 4.44 | 38 | 1.5 | 36 | 1.42 | |
| 12.5 | 1/2" | 12/ SAE | ISO 8434-3 | 13/16"-16 UN MALE BULKHEAD ORFS | FFH08-12/12S F | 107.8 | 4.24 | 38 | 1.5 | 34 | 1.34 | |
| 12.5 | 1/2" | 01/ SAE | ISO 11926-3 | 3/4"-16 UNF MALE | FFH08-1/12S F | 82.4 | 3.24 | 38 | 1.5 | 34 | 1.34 | |
| 12.5 | 1/2" | F NPTF | ANSI B1.20.3 | NPTF 3/4" FEMALE | FFH08 34NPT F | 81.3 | 3.2 | 38 | 1.5 | 34 | 1.34 | |
| 12.5 | 1/2" | 0/ SAE | ISO 11926-1 | 3/4"-16 UNF FEMALE ORB | FFH08 12SAE F | 81.3 | 3.2 | 38 | 1.5 | 34 | 1.34 | |
| 12.5 | 1/2" | F BSPP | ISO 1179-1 | BSPP 1/2" FEMALE | FFH08 12GAS FV | 81.3 | 3.2 | 38 | 1.5 | 34 | 1.34 | |
| 12.5 | 1/2" | 0/ SAE | ISO 11926-1 | 7/8"-14 UNF FEMALE ORB | FFH08 58SAE F | 81.3 | 3.2 | 38 | 1.5 | 34 | 1.34 | |
| 12.5 | 1/2" | 0/ SAE | ISO 11926-1 | 1-1/16"-12 UN FEMALE ORB | FFH08 34SAE F | 86.8 | 3.42 | 38 | 1.5 | 34 | 1.34 | |
| 12.5 | 1/2" | F NPTF | ANSI B1.20.3 | NPTF 1/2" FEMALE | FFH08 12NPT F | 81.3 | 3.2 | 38 | 1.5 | 34 | 1.34 | |
| 12.5 | 1/2" | F BSPP | ISO 1179-1 | BSPP 3/4" FEMALE | FFH08 34GAS F | 84.8 | 3.34 | 38 | 1.5 | 34 | 1.34 | |
| 12.5 | 1/2" | F BSPP | ISO 1179-1 | BSPP 1/2" FEMALE | FFH08 12GAS F | 81.3 | 3.2 | 38 | 1.5 | 34 | 1.34 | |
| 16 | 5/8" | 06/ METRIC | ISO 8434-1-S | M24x1.5 MALE BULKHEAD 16S | FFH10-6/2415 F | 120.3 | 4.74 | 42 | 1.65 | 38 | 1.5 | |
| 16 | 5/8" | 05/ METRIC | ISO 8434-1-L | M26x1.5 MALE BULKHEAD 18L | FFH10-5/2615 F | 120.3 | 4.74 | 42 | 1.65 | 38 | 1.5 | |
| 16 | 5/8" | 03/ METRIC | ISO 8434-1-S | M24x1.5 MALE 16S | FFH10-3/2415 F | 94.3 | 3.71 | 42 | 1.65 | 38 | 1.5 | |
| 16 | 5/8" | 02/ METRIC | ISO 8434-1-L | M26x1.5 MALE 18L | FFH10-2/2615 F | 92.3 | 3.63 | 42 | 1.65 | 38 | 1.5 | |
| 16 | 5/8" | 01/ SAE | ISO 11926-3 | 7/8"-14 UNF MALE | FFH10-1/58S F | 93 | 3.66 | 42 | 1.65 | 38 | 1.5 | |
| 16 | 5/8" | 01/ SAE | ISO 11926-3 | 1-1/16"-12 UN MALE | FFH10-1/34S F | 95.4 | 3.76 | 42 | 1.65 | 38 | 1.5 | |
| 16 | 5/8" | F BSPP | ISO 1179-1 | BSPP 5/8" FEMALE | FFH10 58GAS F | 91.1 | 3.59 | 42 | 1.65 | 38 | 1.5 | |
| 16 | 5/8" | 0/ SAE | ISO 11926-1 | 1-1/16"-12 UN FEMALE ORB | FFH10 34SAE F | 95.1 | 3.74 | 42 | 1.65 | 38 | 1.5 | |
| 16 | 5/8" | F NPTF | ANSI B1.20.3 | NPTF 3/4" FEMALE | FFH10 34NPT F | 92.1 | 3.63 | 42 | 1.65 | 38 | 1.5 | |
| 16 | 5/8" | F BSPP | ISO 1179-1 | BSPP 3/4" FEMALE | FFH10 34GAS F | 92.1 | 3.63 | 42 | 1.65 | 38 | 1.5 | |
| 20 | 3/4" | F JPT | UNI EN 10226-2 | RC 3/4 FEMALE (JPT) | FFH12 34JPT F | 100.3 | 3.95 | 48 | 1.89 | 42 | 1.65 | |
| 20 | 3/4" | 06/ METRIC | ISO 8434-1-S | M36x2 MALE BULKHEAD 25S | FFH12-6/3620 F | 138.9 | 5.47 | 48 | 1.89 | 42 | 1.65 | |
| 20 | 3/4" | 06/ METRIC | ISO 8434-1-S | M30x2 MALE BULKHEAD 20S | FFH12-6/3020 F | 136.1 | 5.36 | 48 | 1.89 | 42 | 1.65 | |
| 20 | 3/4" | 14/ SAE | ISO 8434-2 | 1-1/16"-12 UN MALE BULKHEAD JIC | FFH12-14/34S F | 136.3 | 5.37 | 48 | 1.89 | 42 | 1.65 | |
| 20 | 3/4" | 12/ SAE | ISO 8434-3 | 1-3/16"-12 UN MALE BULKHEAD ORFS | FFH12-12/34S F | 133.4 | 5.25 | 48 | 1.89 | 42 | 1.65 | |
| 20 | 3/4" | 12/ SAE | ISO 8434-3 | 1-7/16"-12 UN MALE BULKHEAD ORFS | FFH12-12/1S F | 133.9 | 5.27 | 48 | 1.89 | 42 | 1.65 | |
| 20 | 3/4" | 01/ SAE | ISO 11926-3 | 1-1/16"-12 UN MALE | FFH12-1/34S F | 107.6 | 4.24 | 48 | 1.89 | 42 | 1.65 | |
| 20 | 3/4" | 01/ METRIC | ISO 6149-2 | M27x2 MALE | FFH12-1/2720 F | 113.1 | 4.45 | 48 | 1.89 | 42 | 1.65 | |
| 20 | 3/4" | 0/ METRIC | ISO 6149-1 | M33x2 FEMALE ORB | FFH12-0/3320 F | 102.6 | 4.04 | 48 | 1.89 | 42 | 1.65 | |
| 20 | 3/4" | 0/ SAE | ISO 11926-1 | 1-1/16"-12 UN FEMALE ORB | FFH12 34SAE F | 104.3 | 4.11 | 48 | 1.89 | 42 | 1.65 | |
| 20 | 3/4" | F NPTF | ANSI B1.20.3 | NPTF 3/4" FEMALE | FFH12 34NPT F | 100.3 | 3.95 | 48 | 1.89 | 42 | 1.65 | |
| 20 | 3/4" | 0/ SAE | ISO 11926-1 | 1-5/16"-12 UN FEMALE ORB | FFH12 1SAE F | 104.3 | 4.11 | 48 | 1.89 | 42 | 1.65 | |
| 20 | 3/4" | F NPTF | ANSI B1.20.3 | NPTF 1" FEMALE | FFH12 1NPT F | 104.3 | 4.11 | 48 | 1.89 | 42 | 1.65 | |
| 20 | 3/4" | F BSPP | ISO 1179-1 | BSPP 1" FEMALE | FFH12 1GAS F | 104.3 | 4.11 | 48 | 1.89 | 42 | 1.65 | |
| 20 | 3/4" | F BSPP | ISO 1179-1 | BSPP 3/4" FEMALE | FFH12 34GAS F | 100.3 | 3.95 | 48 | 1.89 | 42 | 1.65 | |
| 25 | 1" | 06/ METRIC | ISO 8434-1-S | M36x2 MALE BULKHEAD 25S | FFH16-6/3620 F | 141 | 5.55 | 55 | 2.17 | 50 | 1.97 | |
| 25 | 1" | 03/ METRIC | ISO 8434-1-S | M36x2 MALE 25S | FFH16-3/3620 F | 112 | 4.41 | 55 | 2.17 | 50 | 1.97 | |
| 25 | 1" | 01/ METRIC | ISO 6149-2 | M30x2 MALE | FFH16-1/3020 F | 121.5 | 4.78 | 55 | 2.17 | 50 | 1.97 | |

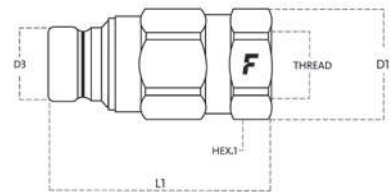


FFH

| Size | | Thread details | | | FEMALE | | | | | | | |
|------|--------|----------------|--------------|--------------------------|----------------|-----------------|------|----|------|------|------|--|
| mm | inch | Thread Type | Standard | Thread | Part Number | L (L1 + Thread) | | D1 | | HEX1 | | |
| | | | | | | mm | inch | mm | inch | mm | inch | |
| 25 | 1" | O/ METRIC | ISO 6149-1 | M33x2 FEMALE ORB | FFH16-0/3320 F | 103 | 4.06 | 55 | 2.17 | 50 | 1.97 | |
| 25 | 1" | O/ SAE | ISO 11926-1 | 1-5/16"-12 UN FEMALE ORB | FFH16 1SAE F | 100.5 | 3.96 | 55 | 2.17 | 50 | 1.97 | |
| 25 | 1" | F NPTF | ANSI B1.20.3 | NPTF 1" FEMALE | FFH16 1NPT F | 100.5 | 3.96 | 55 | 2.17 | 50 | 1.97 | |
| 25 | 1" | F NPTF | ANSI B1.20.3 | NPTF 1-1/4" FEMALE | FFH16 114NPT F | 100.5 | 3.96 | 55 | 2.17 | 50 | 1.97 | |
| 25 | 1" | F BSPP | ISO 1179-1 | BSPP 1-1/2" FEMALE | FFH16 112GAS F | 105.3 | 4.15 | 55 | 2.17 | 55 | 2.17 | |
| 25 | 1" | F BSPP | ISO 1179-1 | BSPP 1-1/4" FEMALE | FFH16 114GAS F | 103 | 4.06 | 55 | 2.17 | 50 | 1.97 | |
| 25 | 1" | F BSPP | ISO 1179-1 | BSPP 1" FEMALE | FFH16 1GAS F | 100.5 | 3.96 | 55 | 2.17 | 50 | 1.97 | |
| 31.5 | 1-1/4" | F BSPP | ISO 1179-1 | BSPP 1-1/4" FEMALE | FFH20 114GAS F | 103.4 | 4.07 | 63 | 2.48 | 60 | 2.36 | |

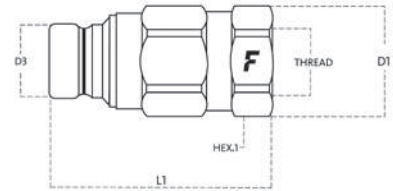
Part number ending in V have seals in FKM and consequently a Working Temperature of -20°C + 200 °C.





FFH

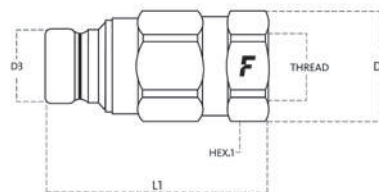
| Size | | Thread details | | | MALE | | | | | | | | | |
|------|------|----------------|----------------|---------------------------------|-----------------|-----------------|------|----|------|------|------|------|------|--|
| mm | inch | Thread Type | Standard | Thread | Part Number | L (L1 + Thread) | | D1 | | D3 | | HEX1 | | |
| | | | | | | mm | inch | mm | inch | mm | inch | mm | inch | |
| 3.2 | 1/8" | 01/ BSPP | ISO 1179-3 | 1/4" BSPP MALE | FFH02-21/14G M | 51 | 2.01 | 21 | 0.83 | 11.6 | 0.46 | 19 | 0.75 | |
| 3.2 | 1/8" | 01/ SAE | ISO 11926-3 | 9/16"-18 UNF MALE | FFH02-1/38S M | 54 | 2.13 | 19 | 0.75 | 11.6 | 0.46 | 17 | 0.67 | |
| 3.2 | 1/8" | F BSPP | ISO 1179-1 | BSPP 1/8" FEMALE | FFH02 18GAS M | 44 | 1.73 | 18 | 0.71 | 11.6 | 0.46 | 16 | 0.63 | |
| 6.3 | 1/4" | 27/ SAE | ISO 8434-3 | 11/16" – 16 UN | FFH04-27/38S M | 50 | 1.97 | 26 | 1.02 | 16.1 | 0.63 | 24 | 0.94 | |
| 6.3 | 1/4" | 0/ SAE | ISO 11926-1 | 7/16"-20 UNF FEMALE ORB | FFH04 14SAE M | 49 | 1.93 | 26 | 1.02 | 16.1 | 0.63 | 24 | 0.94 | |
| 6.3 | 1/4" | F JPT | UNI EN 10226-2 | RC 1/4 FEMALE (JPT) | FFH04 14JPT M | 49 | 1.93 | 26 | 1.02 | 16.1 | 0.63 | 24 | 0.94 | |
| 6.3 | 1/4" | 07/ METRIC | ISO 8434-1-L | M14x1.5 MALE BULKHEAD SHORT 8L | FFH04-7/1415 M | 63.5 | 2.5 | 26 | 1.02 | 16.1 | 0.63 | 24 | 0.94 | |
| 6.3 | 1/4" | 06/ METRIC | ISO 8434-1-S | M16x1.5 MALE BULKHEAD 8S | FFH04-6/1615 M | 75.5 | 2.97 | 26 | 1.02 | 16.1 | 0.63 | 24 | 0.94 | |
| 6.3 | 1/4" | 05/ METRIC | ISO 8434-1-L | M16x1.5 MALE BULKHEAD 10L | FFH04-5/1615 M | 74.5 | 2.93 | 26 | 1.02 | 16.1 | 0.63 | 24 | 0.94 | |
| 6.3 | 1/4" | 03/ METRIC | ISO 8434-1-S | M16x1.5 MALE 8S | FFH04-3/1615 M | 51.5 | 2.03 | 26 | 1.02 | 16.1 | 0.63 | 24 | 0.94 | |
| 6.3 | 1/4" | 28/ SAE | ISO 8434-2 | 3/4"-16 UNF FEMALE JIC | FFH04-28/12S M | 50 | 1.97 | 26 | 1.02 | 16.1 | 0.63 | 24 | 0.94 | |
| 6.3 | 1/4" | 14/ SAE | ISO 8434-2 | 9/16"-18 UNF MALE BULKHEAD JIC | FFH04-14/38S M | 72 | 2.83 | 26 | 1.02 | 16.1 | 0.63 | 24 | 0.94 | |
| 6.3 | 1/4" | 13/ SAE | ISO 8434-2 | 9/16"-18 UNF MALE JIC | FFH04-13/38S M | 53.6 | 2.11 | 26 | 1.02 | 16.1 | 0.63 | 24 | 0.94 | |
| 6.3 | 1/4" | 12/ SAE | ISO 8434-3 | 11/16"-16 UN MALE BULKHEAD ORFS | FFH04-12/38S M | 73.5 | 2.89 | 26 | 1.02 | 16.1 | 0.63 | 24 | 0.94 | |
| 6.3 | 1/4" | 01/ BSPP | ISO 1179-3 | 1/4" BSPP MALE | FFH04-1/14G M | 52 | 2.05 | 26 | 1.02 | 16.1 | 0.63 | 24 | 0.94 | |
| 6.3 | 1/4" | 0/ SAE | ISO 11926-1 | 9/16"-18 UNF FEMALE ORB | FFH04 38SAE M | 52 | 2.05 | 26 | 1.02 | 16.1 | 0.63 | 24 | 0.94 | |
| 6.3 | 1/4" | F NPTF | ANSI B1.20.3 | NPTF 1/4" FEMALE | FFH04 14NPT M | 49 | 1.93 | 26 | 1.02 | 16.1 | 0.63 | 24 | 0.94 | |
| 6.3 | 1/4" | F BSPP | ISO 1179-1 | BSPP 1/4" FEMALE | FFH04 14GAS M | 49 | 1.93 | 26 | 1.02 | 16.1 | 0.63 | 24 | 0.94 | |
| 10 | 3/8" | 07/ METRIC | ISO 8434-1-L | M22x1.5 MALE BULKHEAD SHORT 15L | FFH06-7/2215 MT | 89.3 | 3.52 | 33 | 1.3 | 19.7 | 0.78 | 30 | 1.18 | |
| 10 | 3/8" | 07/ METRIC | ISO 8434-1-L | M18x1.5 MALE BULKHEAD SHORT 12L | FFH06-7/1815 MT | 87.3 | 3.44 | 33 | 1.3 | 19.7 | 0.78 | 30 | 1.18 | |
| 10 | 3/8" | 27/ SAE | ISO 8434-3 | 11/16" – 16 UN | FFH06-27/38S M | 69.3 | 2.73 | 33 | 1.3 | 19.7 | 0.78 | 30 | 1.18 | |
| 10 | 3/8" | F NPTF | ANSI B1.20.3 | NPTF 3/8" FEMALE | FFH06 38NPT MT | 68.3 | 2.69 | 33 | 1.3 | 19.7 | 0.78 | 30 | 1.18 | |
| 10 | 3/8" | F JPT | UNI EN 10226-2 | RC 3/8 FEMALE (JPT) | FFH06 38JPT M | 68.3 | 2.69 | 33 | 1.3 | 19.7 | 0.78 | 30 | 1.18 | |
| 10 | 3/8" | F BSPP | ISO 1179-1 | BSPP 3/8" FEMALE | FFH06 38GAS MB | 68.3 | 2.69 | 33 | 1.3 | 19.7 | 0.78 | 30 | 1.18 | |
| 10 | 3/8" | F JPT | UNI EN 10226-2 | RC 1/2 FEMALE (JPT) | FFH06 12JPT M | 71.8 | 2.83 | 33 | 1.3 | 19.7 | 0.78 | 30 | 1.18 | |
| 10 | 3/8" | 07/ METRIC | ISO 8434-1-L | M22x1.5 MALE BULKHEAD SHORT 15L | FFH06-7/2215 M | 89.3 | 3.52 | 33 | 1.3 | 19.7 | 0.78 | 30 | 1.18 | |
| 10 | 3/8" | 07/ METRIC | ISO 8434-1-L | M18x1.5 MALE BULKHEAD SHORT 12L | FFH06-7/1815 M | 87.3 | 3.44 | 33 | 1.3 | 19.7 | 0.78 | 30 | 1.18 | |
| 10 | 3/8" | 06/ METRIC | ISO 8434-1-S | M20x1.5 MALE BULKHEAD 12S | FFH06-6/2015 M | 99.3 | 3.91 | 33 | 1.3 | 19.7 | 0.78 | 30 | 1.18 | |
| 10 | 3/8" | 05/ METRIC | ISO 8434-1-L | M18x1.5 MALE BULKHEAD 12L | FFH06-5/1815 M | 97.3 | 3.83 | 33 | 1.3 | 19.7 | 0.78 | 30 | 1.18 | |
| 10 | 3/8" | 03/ METRIC | ISO 8434-1-S | M20x1.5 MALE 12S | FFH06-3/2015 M | 73.3 | 2.89 | 33 | 1.3 | 19.7 | 0.78 | 30 | 1.18 | |
| 10 | 3/8" | 01/ BSPP | ISO 1179-3 | 1/2" BSPP MALE | FFH06-21/12G M | 75.3 | 2.96 | 33 | 1.3 | 19.7 | 0.78 | 30 | 1.18 | |
| 10 | 3/8" | 02/ METRIC | ISO 8434-1-L | M22x1.5 MALE 15L | FFH06-2/2215 M | 73.3 | 2.89 | 33 | 1.3 | 19.7 | 0.78 | 30 | 1.18 | |
| 10 | 3/8" | 02/ METRIC | ISO 8434-1-L | M18x1.5 MALE 12L | FFH06-2/1815 M | 72.3 | 2.85 | 33 | 1.3 | 19.7 | 0.78 | 30 | 1.18 | |
| 10 | 3/8" | 02/ METRIC | ISO 8434-1-L | M16x1.5 MALE 10L | FFH06-2/1615 M | 72.3 | 2.85 | 33 | 1.3 | 19.7 | 0.78 | 30 | 1.18 | |
| 10 | 3/8" | 14/ SAE | ISO 8434-2 | 3/4"-16 UN MALE BULKHEAD JIC | FFH06-14/12S M | 97.9 | 3.85 | 33 | 1.3 | 19.7 | 0.78 | 30 | 1.18 | |
| 10 | 3/8" | 12/ SAE | ISO 8434-3 | 13/16"-16 UN MALE BULKHEAD ORFS | FFH06-12/12S M | 98 | 3.86 | 33 | 1.3 | 19.7 | 0.78 | 30 | 1.18 | |
| 10 | 3/8" | 11/ SAE | ISO 8434-3 | 11/16"-16 UN MALE ORFS | FFH06-11/38S M | 72.3 | 2.85 | 33 | 1.3 | 19.7 | 0.78 | 30 | 1.18 | |
| 10 | 3/8" | 11/ SAE | ISO 8434-3 | 13/16"-16 UN MALE ORFS | FFH06-11/12S M | 74 | 2.91 | 33 | 1.3 | 19.7 | 0.78 | 30 | 1.18 | |
| 10 | 3/8" | 01/ SAE | ISO 11926-3 | 3/4"-16 UNF MALE | FFH06-1/12S M | 72.4 | 2.85 | 33 | 1.3 | 19.7 | 0.78 | 30 | 1.18 | |
| 10 | 3/8" | 01/ BSPP | ISO 1179-3 | 1/2" BSPP MALE | FFH06-1/12G M | 75.8 | 2.98 | 33 | 1.3 | 19.7 | 0.78 | 30 | 1.18 | |
| 10 | 3/8" | F BSPP | ISO 1179-1 | BSPP 3/8" FEMALE | FFH06 38GAS MV | 68.3 | 2.69 | 33 | 1.3 | 19.7 | 0.78 | 30 | 1.18 | |
| 10 | 3/8" | 0/ SAE | ISO 11926-1 | 3/4"-16 UNF FEMALE ORB | FFH06 12SAE M | 71.8 | 2.83 | 33 | 1.3 | 19.7 | 0.78 | 30 | 1.18 | |
| 10 | 3/8" | F NPTF | ANSI B1.20.3 | NPTF 1/2" FEMALE | FFH06 12NPT M | 71.8 | 2.83 | 33 | 1.3 | 19.7 | 0.78 | 30 | 1.18 | |
| 10 | 3/8" | F NPTF | ANSI B1.20.3 | NPTF 3/8" FEMALE | FFH06 38NPT M | 68.3 | 2.69 | 33 | 1.3 | 19.7 | 0.78 | 30 | 1.18 | |
| 10 | 3/8" | F BSPP | ISO 1179-1 | BSPP 3/8" FEMALE | FFH06 38GAS M | 68.3 | 2.69 | 33 | 1.3 | 19.7 | 0.78 | 30 | 1.18 | |
| 10 | 3/8" | F BSPP | ISO 1179-1 | BSPP 1/2" FEMALE | FFH06 12GAS M | 73.3 | 2.89 | 33 | 1.3 | 19.7 | 0.78 | 30 | 1.18 | |



FFH

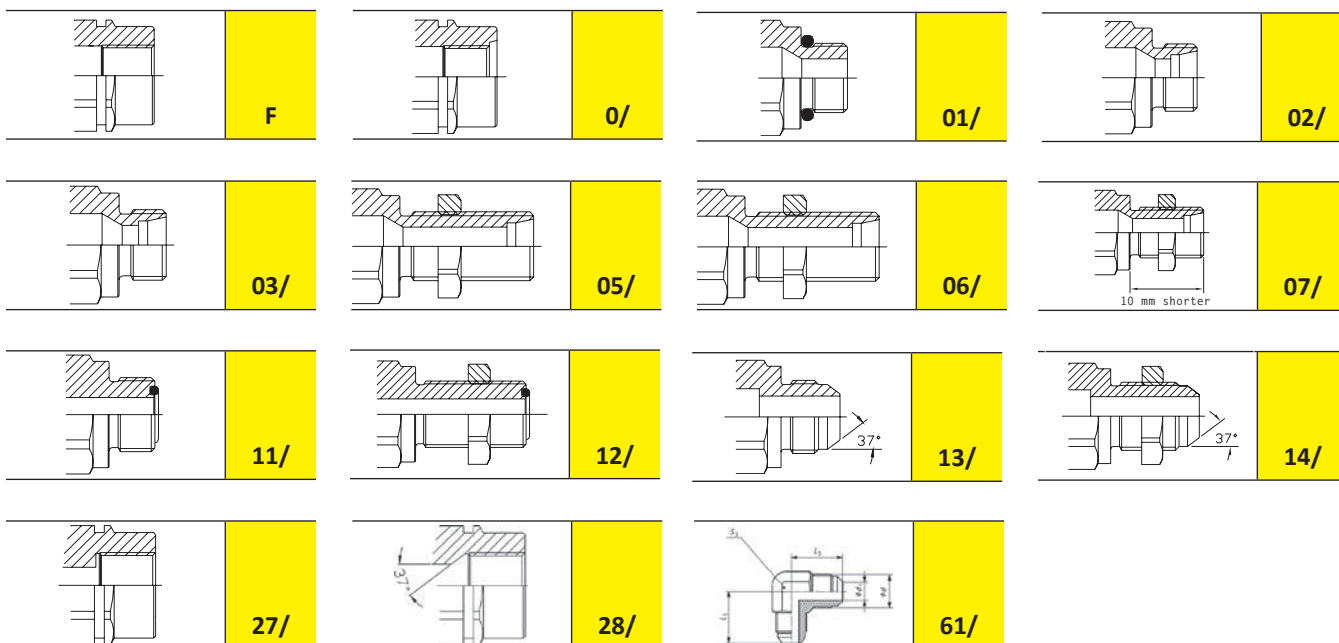
| Size | | Thread details | | | MALE | | | | | | | | | |
|------|------|----------------|----------------|----------------------------------|----------------|-----------------|------|----|------|-------|------|------|------|--|
| mm | inch | Thread Type | Standard | Thread | Part Number | L (L1 + Thread) | | D1 | | D3 | | HEX1 | | |
| | | | | | | mm | inch | mm | inch | mm | inch | mm | inch | |
| 12.5 | 1/2" | F NPTF | ANSI B1.20.3 | NPTF 1/2" FEMALE | FFH08 12NPT MT | 77 | 3.03 | 37 | 1.46 | 24.5 | 0.96 | 34 | 1.34 | |
| 12.5 | 1/2" | F JPT | UNI EN 10226-2 | RC 1/2 FEMALE (JPT) | FFH08 12JPT M | 77 | 3.03 | 37 | 1.46 | 24.5 | 0.96 | 34 | 1.34 | |
| 12.5 | 1/2" | 07/ METRIC | ISO 8434-1-L | M22x1.5 MALE BULKHEAD SHORT 15L | FFH08-7/2215 M | 91.5 | 3.6 | 37 | 1.46 | 24.5 | 0.96 | 34 | 1.34 | |
| 12.5 | 1/2" | 61/ SAE | ISO 8434-2 | 9/16"-18 UN 90° MALE | FFH08-61/38S M | 89 | 3.5 | 38 | 1.5 | 24.5 | 0.96 | 34 | 1.34 | |
| 12.5 | 1/2" | 61/ SAE | ISO 8434-2 | 1-1/16"-12 UN 90° MALE | FFH08-61/34S M | 89 | 3.5 | 38 | 1.5 | 24.5 | 0.96 | 34 | 1.34 | |
| 12.5 | 1/2" | 05/ METRIC | ISO 8434-1-L | M18x1.5 MALE BULKHEAD 12L | FFH08-5/1815 M | 99.5 | 3.92 | 37 | 1.46 | 24.5 | 0.96 | 34 | 1.34 | |
| 12.5 | 1/2" | 02/ METRIC | ISO 8434-1-L | M22x1.5 MALE 15L | FFH08-2/2215 M | 75.5 | 2.97 | 37 | 1.46 | 24.5 | 0.96 | 34 | 1.34 | |
| 12.5 | 1/2" | 02/ METRIC | ISO 8434-1-L | M18x1.5 MALE 12L | FFH08-2/1815 M | 74.5 | 2.93 | 37 | 1.46 | 24.5 | 0.96 | 34 | 1.34 | |
| 12.5 | 1/2" | 14/ SAE | ISO 8434-2 | 7/8"-14 UNF MALE BULKHEAD JIC | FFH08-14/58S M | 103.6 | 4.08 | 37 | 1.46 | 24.5 | 0.96 | 34 | 1.34 | |
| 12.5 | 1/2" | 14/ SAE | ISO 8434-2 | 1-1/16"-12 UN MALE BULKHEAD JIC | FFH08-14/34S M | 108.4 | 4.27 | 37 | 1.46 | 24.5 | 0.96 | 34 | 1.34 | |
| 12.5 | 1/2" | 13/ SAE | ISO 8434-2 | 7/8"-14 UNF MALE JIC | FFH08-13/58S M | 82.8 | 3.26 | 37 | 1.46 | 24.5 | 0.96 | 34 | 1.34 | |
| 12.5 | 1/2" | 12/ SAE | ISO 8434-3 | 1"-14 UNS MALE BULKHEAD ORFS | FFH08-12/58S M | 104 | 4.09 | 37 | 1.46 | 24.5 | 0.96 | 34 | 1.34 | |
| 12.5 | 1/2" | 12/ SAE | ISO 8434-3 | 1-3/16"-12 UN MALE BULKHEAD ORFS | FFH08-12/34S M | 105.5 | 4.15 | 37 | 1.46 | 24.5 | 0.96 | 34 | 1.34 | |
| 12.5 | 1/2" | 12/ SAE | ISO 8434-3 | 13/16"-16 UN MALE BULKHEAD ORFS | FFH08-12/12S M | 100 | 3.94 | 37 | 1.46 | 24.5 | 0.96 | 34 | 1.34 | |
| 12.5 | 1/2" | 01/ METRIC | ISO 6149-2 | M22x1.5 MALE | FFH08-1/2215 M | 78.5 | 3.09 | 37 | 1.46 | 24.5 | 0.96 | 34 | 1.34 | |
| 12.5 | 1/2" | 01/ SAE | ISO 11926-3 | 3/4"-16 UNF MALE | FFH08-1/12S M | 74.6 | 2.94 | 37 | 1.46 | 24.5 | 0.96 | 34 | 1.34 | |
| 12.5 | 1/2" | 01/ BSPP | ISO 1179-3 | 1/2" BSPP MALE | FFH08-1/12G M | 78 | 3.07 | 37 | 1.46 | 24.5 | 0.96 | 34 | 1.34 | |
| 12.5 | 1/2" | 0/ SAE | ISO 11926-1 | 7/8"-14 UNF FEMALE ORB | FFH08 58SAE M | 76 | 2.99 | 37 | 1.46 | 24.5 | 0.96 | 34 | 1.34 | |
| 12.5 | 1/2" | F NPTF | ANSI B1.20.3 | NPTF 3/4" FEMALE | FFH08 34NPT M | 77 | 3.03 | 37 | 1.46 | 24.5 | 0.96 | 34 | 1.34 | |
| 12.5 | 1/2" | 0/ SAE | ISO 11926-1 | 3/4"-16 UNF FEMALE ORB | FFH08 12SAE M | 75 | 2.95 | 37 | 1.46 | 24.5 | 0.96 | 34 | 1.34 | |
| 12.5 | 1/2" | F BSPP | ISO 1179-1 | BSPP 1/2" FEMALE | FFH08 12GAS MV | 75 | 2.95 | 37 | 1.46 | 24.5 | 0.96 | 34 | 1.34 | |
| 12.5 | 1/2" | 0/ SAE | ISO 11926-1 | 1-1/16"-12 UN FEMALE ORB | FFH08 34SAE M | 81 | 3.19 | 37 | 1.46 | 24.5 | 0.96 | 34 | 1.34 | |
| 12.5 | 1/2" | F NPTF | ANSI B1.20.3 | NPTF 1/2" FEMALE | FFH08 12NPT M | 77 | 3.03 | 37 | 1.46 | 24.5 | 0.96 | 34 | 1.34 | |
| 12.5 | 1/2" | F BSPP | ISO 1179-1 | BSPP 3/4" FEMALE | FFH08 34GAS M | 78 | 3.07 | 37 | 1.46 | 24.5 | 0.96 | 34 | 1.34 | |
| 12.5 | 1/2" | F BSPP | ISO 1179-1 | BSPP 1/2" FEMALE | FFH08 12GAS M | 75 | 2.95 | 37 | 1.46 | 24.5 | 0.96 | 34 | 1.34 | |
| 16 | 5/8" | 06/ METRIC | ISO 8434-1-S | M24x1.5 MALE BULKHEAD 16S | FFH10-6/2415 M | 115.7 | 4.56 | 45 | 1.77 | 27 | 1.06 | 41 | 1.61 | |
| 16 | 5/8" | 05/ METRIC | ISO 8434-1-L | M26x1.5 MALE BULKHEAD 18L | FFH10-5/2615 M | 115.7 | 4.56 | 45 | 1.77 | 27 | 1.06 | 41 | 1.61 | |
| 16 | 5/8" | 03/ METRIC | ISO 8434-1-S | M24x1.5 MALE 16S | FFH10-3/2415 M | 89.7 | 3.53 | 45 | 1.77 | 27 | 1.06 | 41 | 1.61 | |
| 16 | 5/8" | 02/ METRIC | ISO 8434-1-L | M26x1.5 MALE 18L | FFH10-2/2615 M | 87.7 | 3.45 | 45 | 1.77 | 27 | 1.06 | 41 | 1.61 | |
| 16 | 5/8" | 01/ SAE | ISO 11926-3 | 7/8"-14 UNF MALE | FFH10-1/58S M | 88.4 | 3.48 | 45 | 1.77 | 27 | 1.06 | 41 | 1.61 | |
| 16 | 5/8" | 01/ SAE | ISO 11926-3 | 1-1/16"-12 UN MALE | FFH10-1/34S M | 90.8 | 3.57 | 45 | 1.77 | 27 | 1.06 | 41 | 1.61 | |
| 16 | 5/8" | F BSPP | ISO 1179-1 | BSPP 5/8" FEMALE | FFH10 58GAS M | 91.1 | 3.59 | 45 | 1.77 | 27 | 1.06 | 41 | 1.61 | |
| 16 | 5/8" | 0/ SAE | ISO 11926-1 | 1-1/16"-12 UN FEMALE ORB | FFH10 34SAE M | 94.1 | 3.7 | 45 | 1.77 | 27 | 1.06 | 41 | 1.61 | |
| 16 | 5/8" | F NPTF | ANSI B1.20.3 | NPTF 3/4" FEMALE | FFH10 34NPT M | 91.1 | 3.59 | 45 | 1.77 | 27 | 1.06 | 41 | 1.61 | |
| 16 | 5/8" | F BSPP | ISO 1179-1 | BSPP 3/4" FEMALE | FFH10 34GAS M | 91.1 | 3.59 | 45 | 1.77 | 27 | 1.06 | 41 | 1.61 | |
| 20 | 3/4" | F JPT | UNI EN 10226-2 | RC 3/4 FEMALE (JPT) | FFH12 34JPT M | 101.5 | 4 | 46 | 1.81 | 29.95 | 1.18 | 42 | 1.65 | |
| 20 | 3/4" | 06/ METRIC | ISO 8434-1-S | M30x2 MALE BULKHEAD 20S | FFH12-6/3020 M | 129.9 | 5.11 | 46 | 1.81 | 29.95 | 1.18 | 42 | 1.65 | |
| 20 | 3/4" | 14/ SAE | ISO 8434-2 | 1-1/16"-12 UN MALE BULKHEAD JIC | FFH12-14/34S M | 130.3 | 5.13 | 46 | 1.81 | 29.95 | 1.18 | 42 | 1.65 | |
| 20 | 3/4" | 13/ SAE | ISO 8434-2 | 1-1/16"-12 UN MALE JIC | FFH12-13/34S M | 107.8 | 4.24 | 46 | 1.81 | 29.95 | 1.18 | 42 | 1.65 | |
| 20 | 3/4" | 12/ SAE | ISO 8434-3 | 1-3/16"-12 UN MALE BULKHEAD ORFS | FFH12-12/34S M | 127.4 | 5.02 | 46 | 1.81 | 29.95 | 1.18 | 42 | 1.65 | |
| 20 | 3/4" | 01/ SAE | ISO 11926-3 | 1-1/16"-12 UN MALE | FFH12-1/34S M | 101 | 3.98 | 46 | 1.81 | 29.95 | 1.18 | 42 | 1.65 | |
| 20 | 3/4" | 0/ SAE | ISO 11926-1 | 1-1/16"-12 UN FEMALE ORB | FFH12 34SAE M | 101.6 | 4 | 46 | 1.81 | 29.95 | 1.18 | 42 | 1.65 | |
| 20 | 3/4" | F NPTF | ANSI B1.20.3 | NPTF 3/4" FEMALE | FFH12 34NPT M | 101.6 | 4 | 46 | 1.81 | 29.95 | 1.18 | 42 | 1.65 | |
| 20 | 3/4" | 0/ SAE | ISO 11926-1 | 1-5/16"-12 UN FEMALE ORB | FFH12 1SAE M | 101.6 | 4 | 46 | 1.81 | 29.95 | 1.18 | 42 | 1.65 | |
| 20 | 3/4" | F NPTF | ANSI B1.20.3 | NPTF 1" FEMALE | FFH12 1NPT M | 101.5 | 4 | 46 | 1.81 | 29.95 | 1.18 | 42 | 1.65 | |

FFH

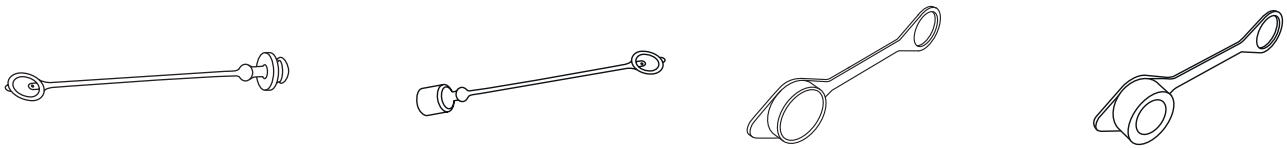


| Size | | Thread details | | | MALE | | | | | | | | | |
|------|--------|----------------|--------------|--------------------------|----------------|-----------------|------|----|------|-------|------|------|------|--|
| mm | inch | Thread Type | Standard | Thread | Part Number | L (L1 + Thread) | | D1 | | D3 | | HEX1 | | |
| | | | | | | mm | inch | mm | inch | mm | inch | mm | inch | |
| 20 | 3/4" | F BSPP | ISO 1179-1 | BSPP 1" FEMALE | FFH12 1GAS M | 101.6 | 4 | 46 | 1.81 | 29.95 | 1.18 | 42 | 1.65 | |
| 20 | 3/4" | F BSPP | ISO 1179-1 | BSPP 3/4" FEMALE | FFH12 34GAS M | 101.6 | 4 | 46 | 1.81 | 29.95 | 1.18 | 42 | 1.65 | |
| 25 | 1" | 06/ METRIC | ISO 8434-1-5 | M36x2 MALE BULKHEAD 25S | FFH16-6/3620 M | 140 | 5.51 | 59 | 2.32 | 36 | 1.42 | 55 | 2.17 | |
| 25 | 1" | 0/ SAE | ISO 11926-1 | 1-5/16"-12 UN FEMALE ORB | FFH16 1SAE M | 106.5 | 4.19 | 59 | 2.32 | 36 | 1.42 | 55 | 2.17 | |
| 25 | 1" | F NPTF | ANSI B1.20.3 | NPTF 1" FEMALE | FFH16 1NPT M | 107.5 | 4.23 | 59 | 2.32 | 36 | 1.42 | 55 | 2.17 | |
| 25 | 1" | F NPTF | ANSI B1.20.3 | NPTF 1-1/4" FEMALE | FFH16 114NPT M | 106.5 | 4.19 | 59 | 2.32 | 36 | 1.42 | 55 | 2.17 | |
| 25 | 1" | F BSPP | ISO 1179-1 | BSPP 1-1/4" FEMALE | FFH16 114GAS M | 109 | 4.29 | 59 | 2.32 | 36 | 1.42 | 55 | 2.17 | |
| 25 | 1" | F BSPP | ISO 1179-1 | BSPP 1-1/2" FEMALE | FFH16 112GAS M | 110 | 4.33 | 59 | 2.32 | 36 | 1.42 | 55 | 2.17 | |
| 25 | 1" | F BSPP | ISO 1179-1 | BSPP 1" FEMALE | FFH16 1GAS M | 106.5 | 4.19 | 59 | 2.32 | 36 | 1.42 | 55 | 2.17 | |
| 31.5 | 1-1/4" | F BSPP | ISO 1179-1 | BSPP 1-1/4" FEMALE | FFH20 114GAS M | 109 | 4.29 | 59 | 2.32 | 44 | 1.73 | 55 | 2.17 | |

Part number ending in V have seals in FKM and consequently a Working Temperature of -20°C + 200 °C.



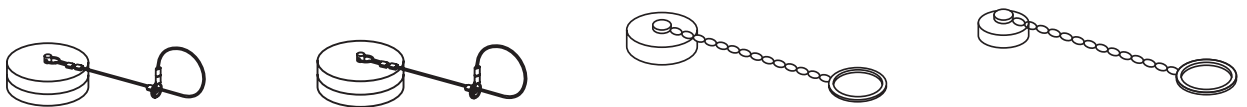
FFH Accessories and Spares



PVC dust protections



Acetal Resin dust protections



Aluminium dust protections



Seals Kits