



FFH

Flat face couplings, ISO 16028 interchange, 35 MPa series.

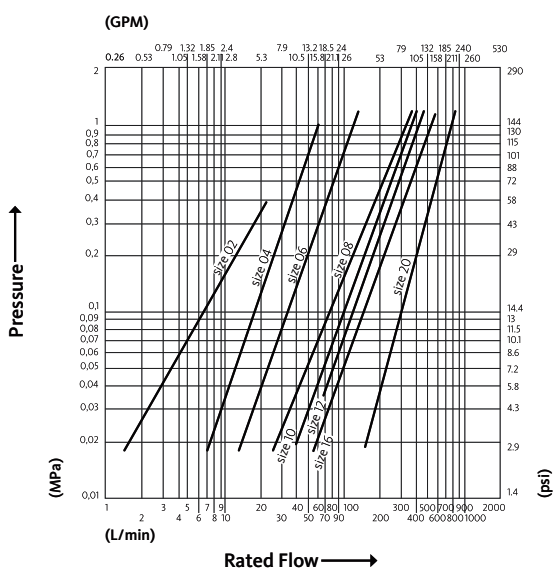
Flat face couplings with real maximum working pressure of 35 MPa and Zinc-Nickel plating. Flat valve shut-off system contributes to prevent contamination and spillage. ISO 16028 interchange.



Applications



Pressure Drop



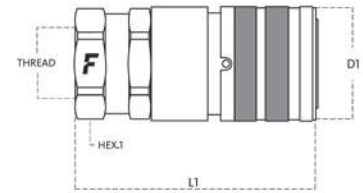
Test performed according to ISO 18869

Technical Specifications

dash	Size mm	inch	Working Pressure (MPa)	Flow Rate (l/min)	Spillage (ml)	Force to Connect (N)	Burst pressure (MPa)		
							Male	Female	Male + Female
02*	3.2*	1/8"*	35	12	0.001	105	170	140	180
04	6.3	1/4"	35	25	0.006	110	170	140	180
06	10	3/8"	35	50	0.008	150	170	140	170
08	12.5	1/2"	35	110	0.01	210	140	140	170
10	16	5/8"	35	125	0.02	205	140	140	140
12	20	3/4"	35	160	0.02	215	140	140	140
16	25	1"	35	230	0.03	280	140	140	170
20	31.5	1-1/4"	35	390	0.03	350	105	105	140

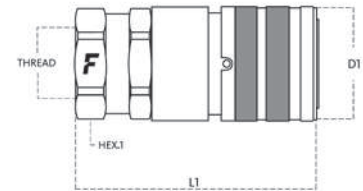
* FFH02 has surface treatment in MATE 500 (CRIII) and is not interchangeable according to ISO 16028.

Material	Steel	Valve Type	Flat
Seals	NBR; PUR	Connection	Push to Connect
Working temperatures	- 25 °C to + 100 °C	Disconnection	Sleeve Retraction
Surface treatment	MATE 1000 (Zn-Ni)	Connection Under Pressure	Not Allowed
Series Interchange	ISO 16028*		



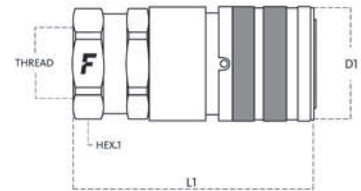
FFH

Size		Thread details			FEMALE							
mm	inch	Thread Type	Standard	Thread	Part Number	L (L1 + Thread)		D1		HEX1		
						mm	inch	mm	inch	mm	inch	
3.2	1/8"	13/ SAE	ISO 8434-2	7/16"-20 UNF MALE JIC	FFH02-13/14S F	60.1	2.37	20	0.79	18	0.71	
3.2	1/8"	F BSPP	ISO 1179-1	BSPP 1/8" FEMALE	FFH02 18GAS F	46.1	1.81	20	0.79	18	0.71	
3.2	1/8"	F BSPP	ISO 1179-1	BSPP 1/4" FEMALE	FFH02 14GAS F	51.3	2.02	20	0.79	18	0.71	
6.3	1/4"	0/ SAE	ISO 11926-1	7/16"-20 UNF FEMALE ORB	FFH04 14SAE F	59	2.32	27	1.06	24	0.94	
6.3	1/4"	F JPT	UNI EN 10226-2	RC 1/4 FEMALE (JPT)	FFH04 14JPT F	58.9	2.32	27	1.06	24	0.94	
6.3	1/4"	07/ METRIC	ISO 8434-1-L	M16x1.5 MALE BULKHEAD SHORT 10L	FFH04-7/1615 F	82.4	3.24	27	1.06	24	0.94	
6.3	1/4"	06/ METRIC	ISO 8434-1-S	M16x1.5 MALE BULKHEAD 8S	FFH04-6/1615 F	75.5	2.97	27	1.06	24	0.94	
6.3	1/4"	05/ METRIC	ISO 8434-1-L	M16x1.5 MALE BULKHEAD 10L	FFH04-5/1615 F	92.4	3.64	27	1.06	24	0.94	
6.3	1/4"	03/ METRIC	ISO 8434-1-S	M16x1.5 MALE 8S	FFH04-3/1615 F	69.4	2.73	27	1.06	24	0.94	
6.3	1/4"	02/ METRIC	ISO 8434-1-L	M16x1.5 MALE 10L	FFH04-2/1615 F	68.4	2.69	27	1.06	24	0.94	
6.3	1/4"	02/ METRIC	ISO 8434-1-L	M14x1.5 MALE 8L	FFH04-2/1415 F	67.4	2.65	27	1.06	24	0.94	
6.3	1/4"	14/ SAE	ISO 8434-2	9/16"-18 UNF MALE BULKHEAD JIC	FFH04-14/38S F	89.9	3.54	27	1.06	24	0.94	
6.3	1/4"	13/ SAE	ISO 8434-2	9/16"-18 UNF MALE JIC	FFH04-13/38S F	71.5	2.81	27	1.06	24	0.94	
6.3	1/4"	12/ SAE	ISO 8434-3	11/16"-16 UN MALE BULKHEAD ORFS	FFH04-12/38S F	91.4	3.6	27	1.06	24	0.94	
6.3	1/4"	0/ METRIC	ISO 6149-1	M16x1.5 FEMALE ORB	FFH04-0/1615 F	61.1	2.41	27	1.06	24	0.94	
6.3	1/4"	0/ SAE	ISO 11926-1	9/16"-18 UNF FEMALE ORB	FFH04 38SAE F	59.6	2.35	27	1.06	24	0.94	
6.3	1/4"	F NPTF	ANSI B1.20.3	NPTF 1/4" FEMALE	FFH04 14NPT F	58.9	2.32	27	1.06	24	0.94	
6.3	1/4"	F BSPP	ISO 1179-1	BSPP 1/4" FEMALE	FFH04 14GAS F	58.9	2.32	27	1.06	24	0.94	
10	3/8"	F JPT	UNI EN 10226-2	RC 3/8 FEMALE (JPT)	FFH06 38JPT F	74.9	2.95	30	1.18	27	1.06	
10	3/8"	F BSPP	ISO 1179-1	BSPP 3/8" FEMALE	FFH06 38GAS FB	75	2.95	30	1.18	27	1.06	
10	3/8"	F JPT	UNI EN 10226-2	RC 1/2 FEMALE (JPT)	FFH06 12JPT F	78.4	3.09	30	1.18	27	1.06	
10	3/8"	07/ METRIC	ISO 8434-1-L	M22x1.5 MALE BULKHEAD SHORT 15L	FFH06-7/2215 F	97.9	3.85	30	1.18	27	1.06	
10	3/8"	07/ METRIC	ISO 8434-1-L	M18x1.5 MALE BULKHEAD SHORT 12L	FFH06-7/1815 F	95.9	3.78	30	1.18	27	1.06	
10	3/8"	07/ METRIC	ISO 8434-1-L	M16x1.5 MALE BULKHEAD SHORT 10L	FFH06-7/1615 F	94.9	3.74	30	1.18	27	1.06	
10	3/8"	06/ METRIC	ISO 8434-1-S	M20x1.5 MALE BULKHEAD 12S	FFH06-6/2015 F	107.9	4.25	30	1.18	27	1.06	
10	3/8"	05/ METRIC	ISO 8434-1-L	M22x1.5 MALE BULKHEAD 15L	FFH06-5/2215 F	107.9	4.25	30	1.18	27	1.06	
10	3/8"	05/ METRIC	ISO 8434-1-L	M18x1.5 MALE BULKHEAD 12L	FFH06-5/1815 F	105.9	4.17	30	1.18	27	1.06	
10	3/8"	03/ METRIC	ISO 8434-1-S	M20x1.5 MALE 12S	FFH06-3/2015 F	80.9	3.19	30	1.18	27	1.06	
10	3/8"	02/ METRIC	ISO 8434-1-L	M18x1.5 MALE 12L	FFH06-2/1815 F	80.9	3.19	30	1.18	27	1.06	
10	3/8"	02/ METRIC	ISO 8434-1-L	M16x1.5 MALE 10L	FFH06-2/1615 F	80.9	3.19	30	1.18	27	1.06	
10	3/8"	02/ METRIC	ISO 8434-1-L	M14x1.5 MALE 8L	FFH06-2/1415 F	79.9	3.15	30	1.18	27	1.06	
10	3/8"	14/ SAE	ISO 8434-2	3/4"-16 UN MALE BULKHEAD JIC	FFH06-14/12S F	106.5	4.19	30	1.18	27	1.06	
10	3/8"	12/ SAE	ISO 8434-3	13/16"-16 UN MALE BULKHEAD ORFS	FFH06-12/12S F	106	4.17	30	1.18	27	1.06	
10	3/8"	01/ SAE	ISO 11926-3	9/16"-18 UNF MALE	FFH06-1/38S F	79.9	3.15	30	1.18	27	1.06	
10	3/8"	01/ SAE	ISO 11926-3	3/4"-16 UNF MALE	FFH06-1/12S F	80.7	3.18	30	1.18	27	1.06	
10	3/8"	F BSPP	ISO 1179-1	BSPP 3/8" FEMALE	FFH06 38GAS FV	97.9	3.85	30	1.18	27	1.06	
10	3/8"	0/ SAE	ISO 11926-1	3/4"-16 UNF FEMALE ORB	FFH06 12SAE F	76.9	3.03	30	1.18	27	1.06	
10	3/8"	F NPTF	ANSI B1.20.3	NPTF 1/2" FEMALE	FFH06 12NPT F	79.4	3.13	30	1.18	27	1.06	
10	3/8"	F NPTF	ANSI B1.20.3	NPTF 3/8" FEMALE	FFH06 38NPT F	75	2.95	30	1.18	27	1.06	
10	3/8"	02/ METRIC	ISO 8434-1-L	M22x1.5 MALE 15L	FFH06-2/2215 F	81.9	3.22	30	1.18	27	1.06	
10	3/8"	F BSPP	ISO 1179-1	BSPP 3/8" FEMALE	FFH06 38GAS F	75	2.95	30	1.18	27	1.06	
10	3/8"	F BSPP	ISO 1179-1	BSPP 1/2" FEMALE	FFH06 12GAS F	79.4	3.13	30	1.18	27	1.06	
12.5	1/2"	02/ METRIC	ISO 8434-1-L	M26x1.5 MALE 18L	FFH08-2/2615 F	83.3	3.28	38	1.5	34	1.34	
12.5	1/2"	F JPT	UNI EN 10226-2	RC 1/2 FEMALE (JPT)	FFH08 12JPT F	81.3	3.2	38	1.5	34	1.34	
12.5	1/2"	07/ METRIC	ISO 8434-1-L	M22x1.5 MALE BULKHEAD SHORT 15L	FFH08-7/2215 F	99.3	3.91	38	1.5	34	1.34	
12.5	1/2"	05/ METRIC	ISO 8434-1-L	M18x1.5 MALE BULKHEAD 12L	FFH08-5/1815 F	107.3	4.22	38	1.5	34	1.34	



FFH

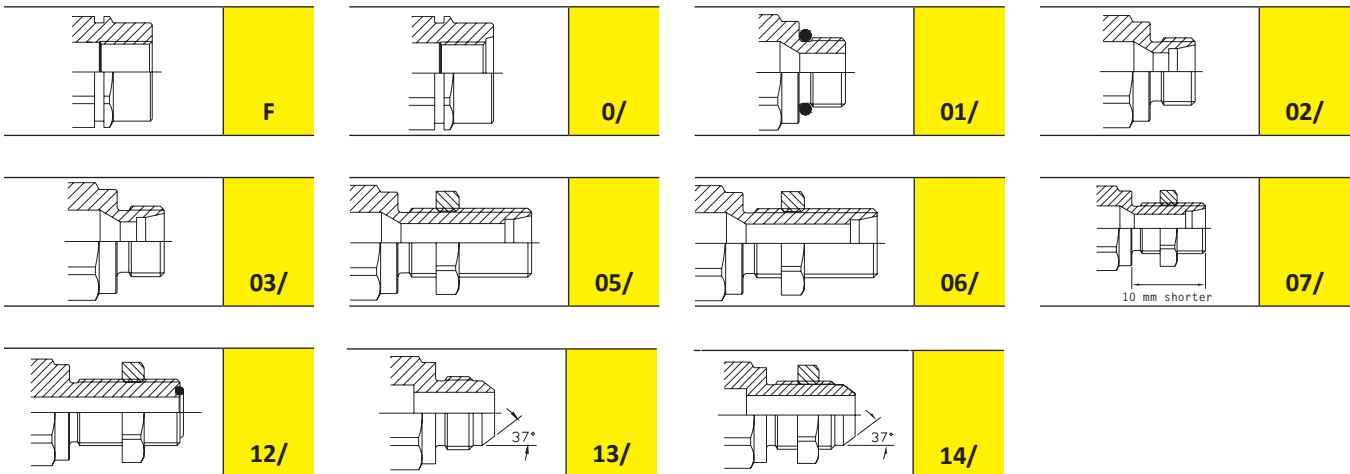
Size		Thread details			FEMALE						
mm	inch	Thread Type	Standard	Thread	Part Number	L (L1 + Thread)		D1		HEX1	
						mm	inch	mm	inch	mm	inch
12.5	1/2"	02/ METRIC	ISO 8434-1-L	M22x1.5 MALE 15L	FFH08-2/2215 F	83.3	3.28	38	1.5	34	1.34
12.5	1/2"	02/ METRIC	ISO 8434-1-L	M18x1.5 MALE 12L	FFH08-2/1815 F	82.3	3.24	38	1.5	34	1.34
12.5	1/2"	14/ SAE	ISO 8434-2	7/8"-14 UNF MALE BULKHEAD JIC	FFH08-14/58S F	111.4	4.39	38	1.5	34	1.34
12.5	1/2"	14/ SAE	ISO 8434-2	1-1/16"-12 UN MALE BULKHEAD JIC	FFH08-14/34S F	115.7	4.56	38	1.5	34	1.34
12.5	1/2"	14/ SAE	ISO 8434-2	3/4"-16 UN MALE BULKHEAD JIC	FFH08-14/12S F	107.9	4.25	38	1.5	34	1.34
12.5	1/2"	13/ SAE	ISO 8434-2	7/8"-14 UNF MALE JIC	FFH08-13/58S F	90.6	3.57	38	1.5	34	1.34
12.5	1/2"	12/ SAE	ISO 8434-3	1"-14 UNS MALE BULKHEAD ORFS	FFH08-12/58S F	111.8	4.4	38	1.5	34	1.34
12.5	1/2"	12/ SAE	ISO 8434-3	1-3/16"-12 UN MALE BULKHEAD ORFS	FFH08-12/34S F	112.8	4.44	38	1.5	36	1.42
12.5	1/2"	12/ SAE	ISO 8434-3	13/16"-16 UN MALE BULKHEAD ORFS	FFH08-12/12S F	107.8	4.24	38	1.5	34	1.34
12.5	1/2"	01/ SAE	ISO 11926-3	3/4"-16 UNF MALE	FFH08-1/12S F	82.4	3.24	38	1.5	34	1.34
12.5	1/2"	F NPTF	ANSI B1.20.3	NPTF 3/4" FEMALE	FFH08 34NPT F	81.3	3.2	38	1.5	34	1.34
12.5	1/2"	0/ SAE	ISO 11926-1	3/4"-16 UNF FEMALE ORB	FFH08 12SAE F	81.3	3.2	38	1.5	34	1.34
12.5	1/2"	F BSPP	ISO 1179-1	BSPP 1/2" FEMALE	FFH08 12GAS FV	81.3	3.2	38	1.5	34	1.34
12.5	1/2"	0/ SAE	ISO 11926-1	7/8"-14 UNF FEMALE ORB	FFH08 58SAE F	81.3	3.2	38	1.5	34	1.34
12.5	1/2"	0/ SAE	ISO 11926-1	1-1/16"-12 UN FEMALE ORB	FFH08 34SAE F	86.8	3.42	38	1.5	34	1.34
12.5	1/2"	F NPTF	ANSI B1.20.3	NPTF 1/2" FEMALE	FFH08 12NPT F	81.3	3.2	38	1.5	34	1.34
12.5	1/2"	F BSPP	ISO 1179-1	BSPP 3/4" FEMALE	FFH08 34GAS F	84.8	3.34	38	1.5	34	1.34
12.5	1/2"	F BSPP	ISO 1179-1	BSPP 1/2" FEMALE	FFH08 12GAS F	81.3	3.2	38	1.5	34	1.34
16	5/8"	06/ METRIC	ISO 8434-1-S	M24x1.5 MALE BULKHEAD 16S	FFH10-6/2415 F	120.3	4.74	42	1.65	38	1.5
16	5/8"	05/ METRIC	ISO 8434-1-L	M26x1.5 MALE BULKHEAD 18L	FFH10-5/2615 F	120.3	4.74	42	1.65	38	1.5
16	5/8"	03/ METRIC	ISO 8434-1-S	M24x1.5 MALE 16S	FFH10-3/2415 F	94.3	3.71	42	1.65	38	1.5
16	5/8"	02/ METRIC	ISO 8434-1-L	M26x1.5 MALE 18L	FFH10-2/2615 F	92.3	3.63	42	1.65	38	1.5
16	5/8"	01/ SAE	ISO 11926-3	7/8"-14 UNF MALE	FFH10-1/58S F	93	3.66	42	1.65	38	1.5
16	5/8"	01/ SAE	ISO 11926-3	1-1/16"-12 UN MALE	FFH10-1/34S F	95.4	3.76	42	1.65	38	1.5
16	5/8"	F BSPP	ISO 1179-1	BSPP 5/8" FEMALE	FFH10 58GAS F	91.1	3.59	42	1.65	38	1.5
16	5/8"	0/ SAE	ISO 11926-1	1-1/16"-12 UN FEMALE ORB	FFH10 34SAE F	95.1	3.74	42	1.65	38	1.5
16	5/8"	F NPTF	ANSI B1.20.3	NPTF 3/4" FEMALE	FFH10 34NPT F	92.1	3.63	42	1.65	38	1.5
16	5/8"	F BSPP	ISO 1179-1	BSPP 3/4" FEMALE	FFH10 34GAS F	92.1	3.63	42	1.65	38	1.5
20	3/4"	F JPT	UNI EN 10226-2	RC 3/4 FEMALE (JPT)	FFH12 34JPT F	100.3	3.95	48	1.89	42	1.65
20	3/4"	06/ METRIC	ISO 8434-1-S	M36x2 MALE BULKHEAD 25S	FFH12-6/3620 F	138.9	5.47	48	1.89	42	1.65
20	3/4"	06/ METRIC	ISO 8434-1-S	M30x2 MALE BULKHEAD 20S	FFH12-6/3020 F	136.1	5.36	48	1.89	42	1.65
20	3/4"	14/ SAE	ISO 8434-2	1-1/16"-12 UN MALE BULKHEAD JIC	FFH12-14/34S F	136.3	5.37	48	1.89	42	1.65
20	3/4"	12/ SAE	ISO 8434-3	1-3/16"-12 UN MALE BULKHEAD ORFS	FFH12-12/34S F	133.4	5.25	48	1.89	42	1.65
20	3/4"	12/ SAE	ISO 8434-3	1-7/16"-12 UN MALE BULKHEAD ORFS	FFH12-12/1S F	133.9	5.27	48	1.89	42	1.65
20	3/4"	01/ SAE	ISO 11926-3	1-1/16"-12 UN MALE	FFH12-1/34S F	107.6	4.24	48	1.89	42	1.65
20	3/4"	01/ METRIC	ISO 6149-2	M27x2 MALE	FFH12-1/2720 F	113.1	4.45	48	1.89	42	1.65
20	3/4"	0/ METRIC	ISO 6149-1	M33x2 FEMALE ORB	FFH12-0/3320 F	102.6	4.04	48	1.89	42	1.65
20	3/4"	0/ SAE	ISO 11926-1	1-1/16"-12 UN FEMALE ORB	FFH12 34SAE F	104.3	4.11	48	1.89	42	1.65
20	3/4"	F NPTF	ANSI B1.20.3	NPTF 3/4" FEMALE	FFH12 34NPT F	100.3	3.95	48	1.89	42	1.65
20	3/4"	0/ SAE	ISO 11926-1	1-5/16"-12 UN FEMALE ORB	FFH12 1SAE F	104.3	4.11	48	1.89	42	1.65
20	3/4"	F NPTF	ANSI B1.20.3	NPTF 1" FEMALE	FFH12 1NPT F	104.3	4.11	48	1.89	42	1.65
20	3/4"	F BSPP	ISO 1179-1	BSPP 1" FEMALE	FFH12 1GAS F	104.3	4.11	48	1.89	42	1.65
20	3/4"	F BSPP	ISO 1179-1	BSPP 3/4" FEMALE	FFH12 34GAS F	100.3	3.95	48	1.89	42	1.65
25	1"	06/ METRIC	ISO 8434-1-S	M36x2 MALE BULKHEAD 25S	FFH16-6/3620 F	141	5.55	55	2.17	50	1.97
25	1"	03/ METRIC	ISO 8434-1-S	M36x2 MALE 25S	FFH16-3/3620 F	112	4.41	55	2.17	50	1.97
25	1"	01/ METRIC	ISO 6149-2	M30x2 MALE	FFH16-1/3020 F	121.5	4.78	55	2.17	50	1.97

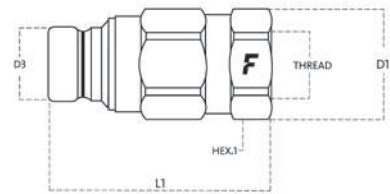


FFH

Size		Thread details			FEMALE							
mm	inch	Thread Type	Standard	Thread	Part Number	L (L1 + Thread)		D1		HEX1		
						mm	inch	mm	inch	mm	inch	
25	1"	O/ METRIC	ISO 6149-1	M33x2 FEMALE ORB	FFH16-0/3320 F	103	4.06	55	2.17	50	1.97	
25	1"	O/ SAE	ISO 11926-1	1-5/16"-12 UN FEMALE ORB	FFH16 1SAE F	100.5	3.96	55	2.17	50	1.97	
25	1"	F NPTF	ANSI B1.20.3	NPTF 1" FEMALE	FFH16 1NPT F	100.5	3.96	55	2.17	50	1.97	
25	1"	F NPTF	ANSI B1.20.3	NPTF 1-1/4" FEMALE	FFH16 114NPT F	100.5	3.96	55	2.17	50	1.97	
25	1"	F BSPP	ISO 1179-1	BSPP 1-1/2" FEMALE	FFH16 112GAS F	105.3	4.15	55	2.17	55	2.17	
25	1"	F BSPP	ISO 1179-1	BSPP 1-1/4" FEMALE	FFH16 114GAS F	103	4.06	55	2.17	50	1.97	
25	1"	F BSPP	ISO 1179-1	BSPP 1" FEMALE	FFH16 1GAS F	100.5	3.96	55	2.17	50	1.97	
31.5	1-1/4"	F BSPP	ISO 1179-1	BSPP 1-1/4" FEMALE	FFH20 114GAS F	103.4	4.07	63	2.48	60	2.36	

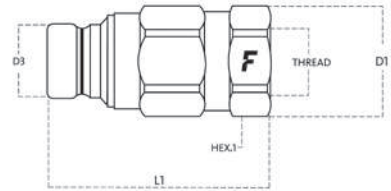
Part number ending in V have seals in FKM and consequently a Working Temperature of -20°C + 200 °C.





FFH

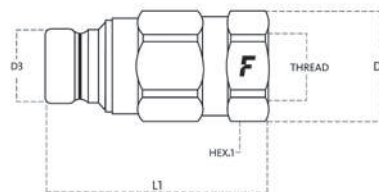
Size		Thread details			MALE									
mm	inch	Thread Type	Standard	Thread	Part Number	L (L1 + Thread)		D1		D3		HEX1		
						mm	inch	mm	inch	mm	inch	mm	inch	
3.2	1/8"	01/ BSPP	ISO 1179-3	1/4" BSPP MALE	FFH02-21/14G M	51	2.01	21	0.83	11.6	0.46	19	0.75	
3.2	1/8"	01/ SAE	ISO 11926-3	9/16"-18 UNF MALE	FFH02-1/38S M	54	2.13	19	0.75	11.6	0.46	17	0.67	
3.2	1/8"	F BSPP	ISO 1179-1	BSPP 1/8" FEMALE	FFH02 18GAS M	44	1.73	18	0.71	11.6	0.46	16	0.63	
6.3	1/4"	27/ SAE	ISO 8434-3	11/16" – 16 UN	FFH04-27/38S M	50	1.97	26	1.02	16.1	0.63	24	0.94	
6.3	1/4"	0/ SAE	ISO 11926-1	7/16"-20 UNF FEMALE ORB	FFH04 14SAE M	49	1.93	26	1.02	16.1	0.63	24	0.94	
6.3	1/4"	F JPT	UNI EN 10226-2	RC 1/4 FEMALE (JPT)	FFH04 14JPT M	49	1.93	26	1.02	16.1	0.63	24	0.94	
6.3	1/4"	07/ METRIC	ISO 8434-1-L	M14x1.5 MALE BULKHEAD SHORT 8L	FFH04-7/1415 M	63.5	2.5	26	1.02	16.1	0.63	24	0.94	
6.3	1/4"	06/ METRIC	ISO 8434-1-S	M16x1.5 MALE BULKHEAD 8S	FFH04-6/1615 M	75.5	2.97	26	1.02	16.1	0.63	24	0.94	
6.3	1/4"	05/ METRIC	ISO 8434-1-L	M16x1.5 MALE BULKHEAD 10L	FFH04-5/1615 M	74.5	2.93	26	1.02	16.1	0.63	24	0.94	
6.3	1/4"	03/ METRIC	ISO 8434-1-S	M16x1.5 MALE 8S	FFH04-3/1615 M	51.5	2.03	26	1.02	16.1	0.63	24	0.94	
6.3	1/4"	28/ SAE	ISO 8434-2	3/4"-16 UNF FEMALE JIC	FFH04-28/12S M	50	1.97	26	1.02	16.1	0.63	24	0.94	
6.3	1/4"	14/ SAE	ISO 8434-2	9/16"-18 UNF MALE BULKHEAD JIC	FFH04-14/38S M	72	2.83	26	1.02	16.1	0.63	24	0.94	
6.3	1/4"	13/ SAE	ISO 8434-2	9/16"-18 UNF MALE JIC	FFH04-13/38S M	53.6	2.11	26	1.02	16.1	0.63	24	0.94	
6.3	1/4"	12/ SAE	ISO 8434-3	11/16"-16 UN MALE BULKHEAD ORFS	FFH04-12/38S M	73.5	2.89	26	1.02	16.1	0.63	24	0.94	
6.3	1/4"	01/ BSPP	ISO 1179-3	1/4" BSPP MALE	FFH04-1/14G M	52	2.05	26	1.02	16.1	0.63	24	0.94	
6.3	1/4"	0/ SAE	ISO 11926-1	9/16"-18 UNF FEMALE ORB	FFH04 38SAE M	52	2.05	26	1.02	16.1	0.63	24	0.94	
6.3	1/4"	F NPTF	ANSI B1.20.3	NPTF 1/4" FEMALE	FFH04 14NPT M	49	1.93	26	1.02	16.1	0.63	24	0.94	
6.3	1/4"	F BSPP	ISO 1179-1	BSPP 1/4" FEMALE	FFH04 14GAS M	49	1.93	26	1.02	16.1	0.63	24	0.94	
10	3/8"	07/ METRIC	ISO 8434-1-L	M22x1.5 MALE BULKHEAD SHORT 15L	FFH06-7/2215 MT	89.3	3.52	33	1.3	19.7	0.78	30	1.18	
10	3/8"	07/ METRIC	ISO 8434-1-L	M18x1.5 MALE BULKHEAD SHORT 12L	FFH06-7/1815 MT	87.3	3.44	33	1.3	19.7	0.78	30	1.18	
10	3/8"	27/ SAE	ISO 8434-3	11/16" – 16 UN	FFH06-27/38S M	69.3	2.73	33	1.3	19.7	0.78	30	1.18	
10	3/8"	F NPTF	ANSI B1.20.3	NPTF 3/8" FEMALE	FFH06 38NPT MT	68.3	2.69	33	1.3	19.7	0.78	30	1.18	
10	3/8"	F JPT	UNI EN 10226-2	RC 3/8 FEMALE (JPT)	FFH06 38JPT M	68.3	2.69	33	1.3	19.7	0.78	30	1.18	
10	3/8"	F BSPP	ISO 1179-1	BSPP 3/8" FEMALE	FFH06 38GAS MB	68.3	2.69	33	1.3	19.7	0.78	30	1.18	
10	3/8"	F JPT	UNI EN 10226-2	RC 1/2 FEMALE (JPT)	FFH06 12JPT M	71.8	2.83	33	1.3	19.7	0.78	30	1.18	
10	3/8"	07/ METRIC	ISO 8434-1-L	M22x1.5 MALE BULKHEAD SHORT 15L	FFH06-7/2215 M	89.3	3.52	33	1.3	19.7	0.78	30	1.18	
10	3/8"	07/ METRIC	ISO 8434-1-L	M18x1.5 MALE BULKHEAD SHORT 12L	FFH06-7/1815 M	87.3	3.44	33	1.3	19.7	0.78	30	1.18	
10	3/8"	06/ METRIC	ISO 8434-1-S	M20x1.5 MALE BULKHEAD 12S	FFH06-6/2015 M	99.3	3.91	33	1.3	19.7	0.78	30	1.18	
10	3/8"	05/ METRIC	ISO 8434-1-L	M18x1.5 MALE BULKHEAD 12L	FFH06-5/1815 M	97.3	3.83	33	1.3	19.7	0.78	30	1.18	
10	3/8"	03/ METRIC	ISO 8434-1-S	M20x1.5 MALE 12S	FFH06-3/2015 M	73.3	2.89	33	1.3	19.7	0.78	30	1.18	
10	3/8"	01/ BSPP	ISO 1179-3	1/2" BSPP MALE	FFH06-21/12G M	75.3	2.96	33	1.3	19.7	0.78	30	1.18	
10	3/8"	02/ METRIC	ISO 8434-1-L	M22x1.5 MALE 15L	FFH06-2/2215 M	73.3	2.89	33	1.3	19.7	0.78	30	1.18	
10	3/8"	02/ METRIC	ISO 8434-1-L	M18x1.5 MALE 12L	FFH06-2/1815 M	72.3	2.85	33	1.3	19.7	0.78	30	1.18	
10	3/8"	02/ METRIC	ISO 8434-1-L	M16x1.5 MALE 10L	FFH06-2/1615 M	72.3	2.85	33	1.3	19.7	0.78	30	1.18	
10	3/8"	14/ SAE	ISO 8434-2	3/4"-16 UN MALE BULKHEAD JIC	FFH06-14/12S M	97.9	3.85	33	1.3	19.7	0.78	30	1.18	
10	3/8"	12/ SAE	ISO 8434-3	13/16"-16 UN MALE BULKHEAD ORFS	FFH06-12/12S M	98	3.86	33	1.3	19.7	0.78	30	1.18	
10	3/8"	11/ SAE	ISO 8434-3	11/16"-16 UN MALE ORFS	FFH06-11/38S M	72.3	2.85	33	1.3	19.7	0.78	30	1.18	
10	3/8"	11/ SAE	ISO 8434-3	13/16"-16 UN MALE ORFS	FFH06-11/12S M	74	2.91	33	1.3	19.7	0.78	30	1.18	
10	3/8"	01/ SAE	ISO 11926-3	3/4"-16 UNF MALE	FFH06-1/12S M	72.4	2.85	33	1.3	19.7	0.78	30	1.18	
10	3/8"	01/ BSPP	ISO 1179-3	1/2" BSPP MALE	FFH06-1/12G M	75.8	2.98	33	1.3	19.7	0.78	30	1.18	
10	3/8"	F BSPP	ISO 1179-1	BSPP 3/8" FEMALE	FFH06 38GAS MV	68.3	2.69	33	1.3	19.7	0.78	30	1.18	
10	3/8"	0/ SAE	ISO 11926-1	3/4"-16 UNF FEMALE ORB	FFH06 12SAE M	71.8	2.83	33	1.3	19.7	0.78	30	1.18	
10	3/8"	F NPTF	ANSI B1.20.3	NPTF 1/2" FEMALE	FFH06 12NPT M	71.8	2.83	33	1.3	19.7	0.78	30	1.18	
10	3/8"	F NPTF	ANSI B1.20.3	NPTF 3/8" FEMALE	FFH06 38NPT M	68.3	2.69	33	1.3	19.7	0.78	30	1.18	
10	3/8"	F BSPP	ISO 1179-1	BSPP 3/8" FEMALE	FFH06 38GAS M	68.3	2.69	33	1.3	19.7	0.78	30	1.18	
10	3/8"	F BSPP	ISO 1179-1	BSPP 1/2" FEMALE	FFH06 12GAS M	73.3	2.89	33	1.3	19.7	0.78	30	1.18	



FFH

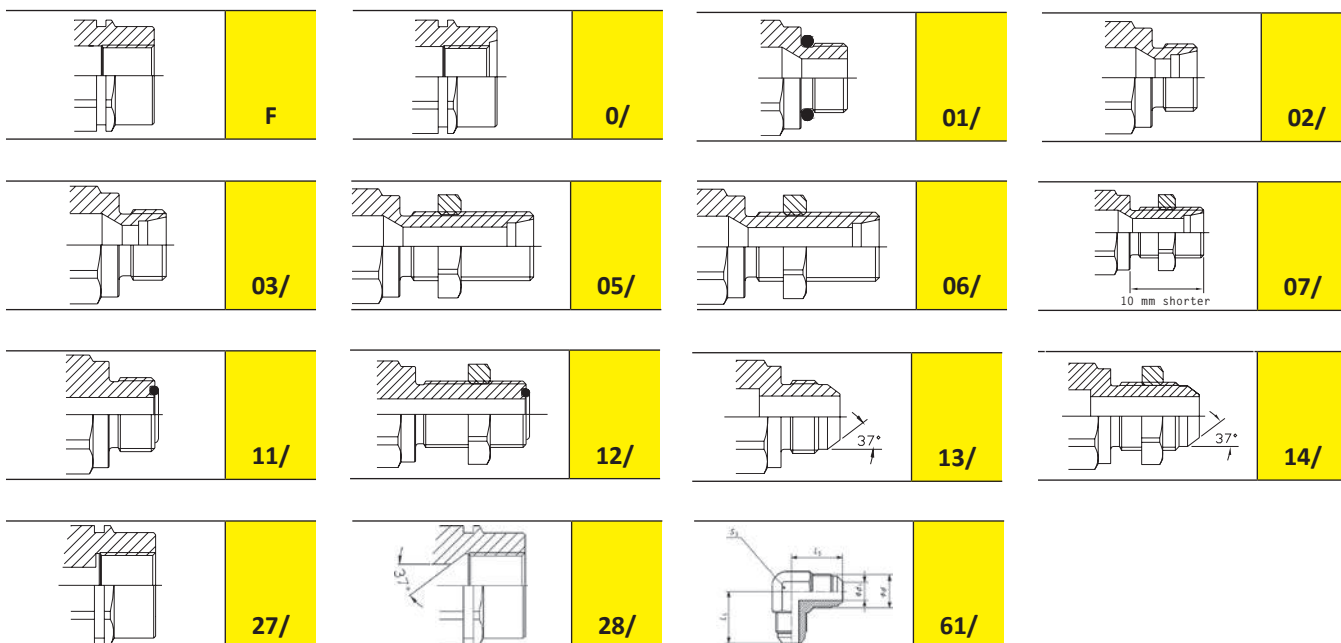
Size		Thread details			MALE									
mm	inch	Thread Type	Standard	Thread	Part Number	L (L1 + Thread)		D1		D3		HEX1		
						mm	inch	mm	inch	mm	inch	mm	inch	
12.5	1/2"	F NPTF	ANSI B1.20.3	NPTF 1/2" FEMALE	FFH08 12NPT MT	77	3.03	37	1.46	24.5	0.96	34	1.34	
12.5	1/2"	F JPT	UNI EN 10226-2	RC 1/2 FEMALE (JPT)	FFH08 12JPT M	77	3.03	37	1.46	24.5	0.96	34	1.34	
12.5	1/2"	07/ METRIC	ISO 8434-1-L	M22x1.5 MALE BULKHEAD SHORT 15L	FFH08-7/2215 M	91.5	3.6	37	1.46	24.5	0.96	34	1.34	
12.5	1/2"	61/ SAE	ISO 8434-2	9/16"-18 UN 90° MALE	FFH08-61/38S M	89	3.5	38	1.5	24.5	0.96	34	1.34	
12.5	1/2"	61/ SAE	ISO 8434-2	1-1/16"-12 UN 90° MALE	FFH08-61/34S M	89	3.5	38	1.5	24.5	0.96	34	1.34	
12.5	1/2"	05/ METRIC	ISO 8434-1-L	M18x1.5 MALE BULKHEAD 12L	FFH08-5/1815 M	99.5	3.92	37	1.46	24.5	0.96	34	1.34	
12.5	1/2"	02/ METRIC	ISO 8434-1-L	M22x1.5 MALE 15L	FFH08-2/2215 M	75.5	2.97	37	1.46	24.5	0.96	34	1.34	
12.5	1/2"	02/ METRIC	ISO 8434-1-L	M18x1.5 MALE 12L	FFH08-2/1815 M	74.5	2.93	37	1.46	24.5	0.96	34	1.34	
12.5	1/2"	14/ SAE	ISO 8434-2	7/8"-14 UNF MALE BULKHEAD JIC	FFH08-14/58S M	103.6	4.08	37	1.46	24.5	0.96	34	1.34	
12.5	1/2"	14/ SAE	ISO 8434-2	1-1/16"-12 UN MALE BULKHEAD JIC	FFH08-14/34S M	108.4	4.27	37	1.46	24.5	0.96	34	1.34	
12.5	1/2"	13/ SAE	ISO 8434-2	7/8"-14 UNF MALE JIC	FFH08-13/58S M	82.8	3.26	37	1.46	24.5	0.96	34	1.34	
12.5	1/2"	12/ SAE	ISO 8434-3	1"-14 UNS MALE BULKHEAD ORFS	FFH08-12/58S M	104	4.09	37	1.46	24.5	0.96	34	1.34	
12.5	1/2"	12/ SAE	ISO 8434-3	1-3/16"-12 UN MALE BULKHEAD ORFS	FFH08-12/34S M	105.5	4.15	37	1.46	24.5	0.96	34	1.34	
12.5	1/2"	12/ SAE	ISO 8434-3	13/16"-16 UN MALE BULKHEAD ORFS	FFH08-12/12S M	100	3.94	37	1.46	24.5	0.96	34	1.34	
12.5	1/2"	01/ METRIC	ISO 6149-2	M22x1.5 MALE	FFH08-1/2215 M	78.5	3.09	37	1.46	24.5	0.96	34	1.34	
12.5	1/2"	01/ SAE	ISO 11926-3	3/4"-16 UNF MALE	FFH08-1/12S M	74.6	2.94	37	1.46	24.5	0.96	34	1.34	
12.5	1/2"	01/ BSPP	ISO 1179-3	1/2" BSPP MALE	FFH08-1/12G M	78	3.07	37	1.46	24.5	0.96	34	1.34	
12.5	1/2"	0/ SAE	ISO 11926-1	7/8"-14 UNF FEMALE ORB	FFH08 58SAE M	76	2.99	37	1.46	24.5	0.96	34	1.34	
12.5	1/2"	F NPTF	ANSI B1.20.3	NPTF 3/4" FEMALE	FFH08 34NPT M	77	3.03	37	1.46	24.5	0.96	34	1.34	
12.5	1/2"	0/ SAE	ISO 11926-1	3/4"-16 UNF FEMALE ORB	FFH08 12SAE M	75	2.95	37	1.46	24.5	0.96	34	1.34	
12.5	1/2"	F BSPP	ISO 1179-1	BSPP 1/2" FEMALE	FFH08 12GAS MV	75	2.95	37	1.46	24.5	0.96	34	1.34	
12.5	1/2"	0/ SAE	ISO 11926-1	1-1/16"-12 UN FEMALE ORB	FFH08 34SAE M	81	3.19	37	1.46	24.5	0.96	34	1.34	
12.5	1/2"	F NPTF	ANSI B1.20.3	NPTF 1/2" FEMALE	FFH08 12NPT M	77	3.03	37	1.46	24.5	0.96	34	1.34	
12.5	1/2"	F BSPP	ISO 1179-1	BSPP 3/4" FEMALE	FFH08 34GAS M	78	3.07	37	1.46	24.5	0.96	34	1.34	
12.5	1/2"	F BSPP	ISO 1179-1	BSPP 1/2" FEMALE	FFH08 12GAS M	75	2.95	37	1.46	24.5	0.96	34	1.34	
16	5/8"	06/ METRIC	ISO 8434-1-S	M24x1.5 MALE BULKHEAD 16S	FFH10-6/2415 M	115.7	4.56	45	1.77	27	1.06	41	1.61	
16	5/8"	05/ METRIC	ISO 8434-1-L	M26x1.5 MALE BULKHEAD 18L	FFH10-5/2615 M	115.7	4.56	45	1.77	27	1.06	41	1.61	
16	5/8"	03/ METRIC	ISO 8434-1-S	M24x1.5 MALE 16S	FFH10-3/2415 M	89.7	3.53	45	1.77	27	1.06	41	1.61	
16	5/8"	02/ METRIC	ISO 8434-1-L	M26x1.5 MALE 18L	FFH10-2/2615 M	87.7	3.45	45	1.77	27	1.06	41	1.61	
16	5/8"	01/ SAE	ISO 11926-3	7/8"-14 UNF MALE	FFH10-1/58S M	88.4	3.48	45	1.77	27	1.06	41	1.61	
16	5/8"	01/ SAE	ISO 11926-3	1-1/16"-12 UN MALE	FFH10-1/34S M	90.8	3.57	45	1.77	27	1.06	41	1.61	
16	5/8"	F BSPP	ISO 1179-1	BSPP 5/8" FEMALE	FFH10 58GAS M	91.1	3.59	45	1.77	27	1.06	41	1.61	
16	5/8"	0/ SAE	ISO 11926-1	1-1/16"-12 UN FEMALE ORB	FFH10 34SAE M	94.1	3.7	45	1.77	27	1.06	41	1.61	
16	5/8"	F NPTF	ANSI B1.20.3	NPTF 3/4" FEMALE	FFH10 34NPT M	91.1	3.59	45	1.77	27	1.06	41	1.61	
16	5/8"	F BSPP	ISO 1179-1	BSPP 3/4" FEMALE	FFH10 34GAS M	91.1	3.59	45	1.77	27	1.06	41	1.61	
20	3/4"	F JPT	UNI EN 10226-2	RC 3/4 FEMALE (JPT)	FFH12 34JPT M	101.5	4	46	1.81	29.95	1.18	42	1.65	
20	3/4"	06/ METRIC	ISO 8434-1-S	M30x2 MALE BULKHEAD 20S	FFH12-6/3020 M	129.9	5.11	46	1.81	29.95	1.18	42	1.65	
20	3/4"	14/ SAE	ISO 8434-2	1-1/16"-12 UN MALE BULKHEAD JIC	FFH12-14/34S M	130.3	5.13	46	1.81	29.95	1.18	42	1.65	
20	3/4"	13/ SAE	ISO 8434-2	1-1/16"-12 UN MALE JIC	FFH12-13/34S M	107.8	4.24	46	1.81	29.95	1.18	42	1.65	
20	3/4"	12/ SAE	ISO 8434-3	1-3/16"-12 UN MALE BULKHEAD ORFS	FFH12-12/34S M	127.4	5.02	46	1.81	29.95	1.18	42	1.65	
20	3/4"	01/ SAE	ISO 11926-3	1-1/16"-12 UN MALE	FFH12-1/34S M	101	3.98	46	1.81	29.95	1.18	42	1.65	
20	3/4"	0/ SAE	ISO 11926-1	1-1/16"-12 UN FEMALE ORB	FFH12 34SAE M	101.6	4	46	1.81	29.95	1.18	42	1.65	
20	3/4"	F NPTF	ANSI B1.20.3	NPTF 3/4" FEMALE	FFH12 34NPT M	101.6	4	46	1.81	29.95	1.18	42	1.65	
20	3/4"	0/ SAE	ISO 11926-1	1-5/16"-12 UN FEMALE ORB	FFH12 1SAE M	101.6	4	46	1.81	29.95	1.18	42	1.65	
20	3/4"	F NPTF	ANSI B1.20.3	NPTF 1" FEMALE	FFH12 1NPT M	101.5	4	46	1.81	29.95	1.18	42	1.65	

FFH

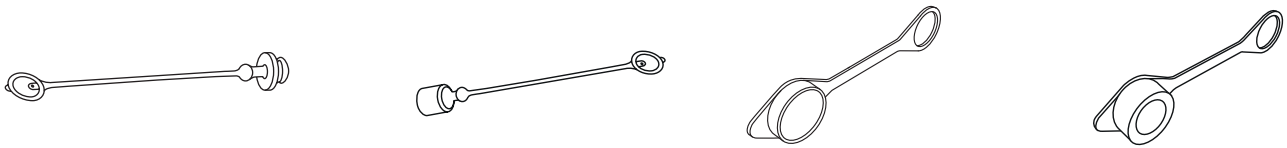


Size		Thread details			MALE									
mm	inch	Thread Type	Standard	Thread	Part Number	L (L1 + Thread)		D1		D3		HEX1		
						mm	inch	mm	inch	mm	inch	mm	inch	
20	3/4"	F BSPP	ISO 1179-1	BSPP 1" FEMALE	FFH12 1GAS M	101.6	4	46	1.81	29.95	1.18	42	1.65	
20	3/4"	F BSPP	ISO 1179-1	BSPP 3/4" FEMALE	FFH12 34GAS M	101.6	4	46	1.81	29.95	1.18	42	1.65	
25	1"	06/ METRIC	ISO 8434-1-5	M36x2 MALE BULKHEAD 25S	FFH16-6/3620 M	140	5.51	59	2.32	36	1.42	55	2.17	
25	1"	0/ SAE	ISO 11926-1	1-5/16"-12 UN FEMALE ORB	FFH16 1SAE M	106.5	4.19	59	2.32	36	1.42	55	2.17	
25	1"	F NPTF	ANSI B1.20.3	NPTF 1" FEMALE	FFH16 1NPT M	107.5	4.23	59	2.32	36	1.42	55	2.17	
25	1"	F NPTF	ANSI B1.20.3	NPTF 1-1/4" FEMALE	FFH16 114NPT M	106.5	4.19	59	2.32	36	1.42	55	2.17	
25	1"	F BSPP	ISO 1179-1	BSPP 1-1/4" FEMALE	FFH16 114GAS M	109	4.29	59	2.32	36	1.42	55	2.17	
25	1"	F BSPP	ISO 1179-1	BSPP 1-1/2" FEMALE	FFH16 112GAS M	110	4.33	59	2.32	36	1.42	55	2.17	
25	1"	F BSPP	ISO 1179-1	BSPP 1" FEMALE	FFH16 1GAS M	106.5	4.19	59	2.32	36	1.42	55	2.17	
31.5	1-1/4"	F BSPP	ISO 1179-1	BSPP 1-1/4" FEMALE	FFH20 114GAS M	109	4.29	59	2.32	44	1.73	55	2.17	

Part number ending in V have seals in FKM and consequently a Working Temperature of -20°C + 200 °C.



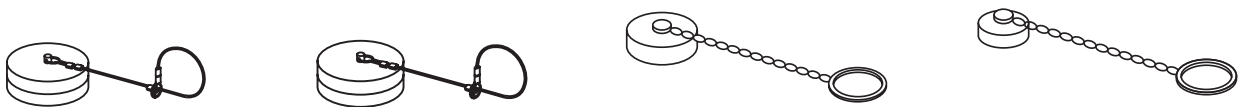
FFH Accessories and Spares



PVC dust protections



Acetal Resin dust protections



Aluminium dust protections



Seals Kits